

# Moulded Case Circuit breakers

## Record\* C



- A.2 Introduction
- A.3 Moulded Case Circuit Breaker - thermal magnetic
- A.4 Moulded Case Circuit Breaker - thermal magnetic and leakage
- A.5 General specifications

Introduction and specifications

A

Order codes

B

Dimensions and applications

C

Numerical index

X



## Low-Voltage Moulded Case Circuit Breaker (MCCB)

### Applicable scope

Record\* C has a rated insulation voltage of 1000V which is suitable for low-voltage distribution and motor protection application. Available in five (5) breaker frame sizes with rated current from 16A up to 800A.

### Application

Record\* C can be used for installation in the industrial segment, factories, residential and commercial sectors. The breakers are suitable to be installed in enclosures and switchboards.

### Features

The Record\* C breakers are compact and have high breaking capacity. They can also be installed vertically or horizontally. Accessories are standardized for easy installation. The circuit breaker is compliant with IEC 60947-2 standard.

### Standard operating conditions

Altitude: Up to 2000m above sea level.

Ambient temperature: -5 °C ±40 °C (Operation of continuous 24 hours average not more than +35 °C).

Other atmospheric conditions: Salt spray, oil mist (moderate) & mold.

Installation category of circuit breaker connecting to the main circuit: Category III.

Pollution level: Not exceeding class 3.

The Record<sup>TM</sup> C circuit breakers should be utilised under normal ambient operating conditions.

The breakers are not suitable to be installed in a potentially explosive and corrosive environment such as explosive chemical, corrosive gas and dust exposure.



## Moulded Case Circuit Breaker - thermal magnetic



### IEC60947-2 Standard

Circuit breaker		CB125		CB250		CB400			CB630			CB800	
Types		S	N	S	N	S	N	H	S	N	H	N	H
Number of poles		3P/4P		3P/4P		3P/4P			3P/4P			3P/4P	
Rated insulation voltage		1000		1000		1000			1000			1000	
Rated insulation impulse withstand voltage		8		8		8			8			8	
Rated operating voltage (50/60Hz) Volts AC		400		400		400			400			400	
Line protection device													
Category of use		A		A		A			A			A	
Suitable as isolator		Yes											
Rated current I <sub>th</sub> =I <sub>e</sub>		125		250		400			630			800	
Rated ultimate breaking capacity I <sub>cu</sub> (kA)		35	50	35	50	35	50	70	35	50	70	50	70
Rated service breaking capacity I <sub>cs</sub> (kA)		24.5	37.5	24.5	37.5	35	50	52.5	35	50	52.5	50	52.5
Endurance (CO cycle)		12500		12500		8000			8000			5000	
		4000		5000		2500			2500			2500	
Trip unit		Fixed											
		Line thermal magnetic trip Motor magnetic only trip											

### Installation<sup>(1)</sup>

Circuit breaker		CB125		CB250		CB400			CB630			CB800	
Types		S	N	S	N	S	N	H	S	N	H	N	H
Installation method		Yes											
Connection method		Yes											
Dimension (w x h x d) mm		S 92*150*100 N 92*150*118		S 105*150*122.5 N 105*150*139.5		150*257*149.5			182*270*153			210*280*162	
Weight (kg)		S 1.34 N 1.71		S 1.84 N 2.08		5.57			6.85			9.57	
		2.13		2.88		6.42			8.54			11.6	

- 1) The circuit breaker, only allows upper incoming and lower outgoing, no reverse connection.  
2) The interphase barrier is standard configuration of the circuit breaker.

## Moulded Case Circuit Breaker - thermal magnetic and leakage



## IEC60947-2 Standard

Circuit breaker		CE125	CE250	CE400	CE630
Type		N	N	H	H
Number of poles	Number of poles	3P/4P	3P/4P	3P/4P	3P/4P
Rated insulation voltage	Ui (Volts)	1000	1000	1000	1000
Rated insulation impulse withstand voltage	Uimp (Kilovolt)	8	8	8	8
Rated operating voltage (50/60Hz)	Volts AC	400	400	400	400
Line protection device					
Category of use		A	A	A	A
Suitable as isolator		Yes			
Rated current I <sub>th</sub> =I <sub>e</sub>	A at 40 °C	125	250	400	630
Rated ultimate short-circuit breaking capacity I <sub>cu</sub> (kA)	400V AC	50	50	70	70
Rated service short-circuit breaking capacity I <sub>cs</sub> (kA)	400V AC	37.5	37.5	52.5	52.5
Endurance (CO cycle)	Mechanical	12500	12500	8000	8000
	Electrical (full current)	4000	5000	2500	2500
	Line thermal magnetic trip Motor magnetic only trip	Fixed			
Rated residual operating current I <sub>Δno</sub>	Delay/non-delay	100/300/500 (mA)		300/500/1000 (mA)	300/500/1000 (mA) 1 / 3 / 10 / 30 (A)
Rated residual non-operating current I <sub>Δno</sub>		1/2 I <sub>Δno</sub>			
Rated residual short-circuit making current I <sub>Δm</sub>		1/4 I <sub>Δno</sub>			

Installation<sup>(1)</sup>

Circuit breaker		CE125	CE250	CE400	CE630
Type		N	N	H	H
Installation method	Fixed	Yes			
	Plug-in	No		Yes	
Connection method	Front connection	Yes			
	Rear connection	Yes			
Dimension (w x h x d) mm	Fixed front connect. 3P	150*92*87	150*105*103	150*257*149.5	210*280*162
	4P	150*122*87	150*142*103	198*257*149.5	280*280*162
Weight (kg)	Fixed front connect. 3P	1.9	3.28	6.22	10.1
	4P	2.7	4.1	7.2	12.1

1) For the circuit breaker, only top incoming and bottom outgoing are allowed, reverse connection is not permitted.

2) The interphase barrier is standard configuration of the circuit breaker.

# General specifications

## Moulded Case Circuit Breaker model explanation

### Record C series circuit breaker model quick selection table

Product specification	Frame level	Breaking capacity	Number of poles	Trip	Rated current
C <b>B</b> Circuit breaker	125	S = 35KA	3 = 3P	TM Line thermal magnetic protection	016-800
	250	N = 50KA	4 = 4 pole 4 trips		
	400	H = 70KA	R = 4 pole 3 trips		
	630				
	800			MC Magnetic only protection	

For example: CB125N3TM125

CB series circuit breaker – Frame 125 – 50KA – 3P – Line thermal magnetic trip – 125A

### Record C series circuit breaker with leakage protection model quick selection table

Product specification	Frame level	Breaking capacity	Number of poles	Trip	Rated current	Protection against earth leakage current
C <b>E</b> Circuit breaker with leakage protection	125	S = 35KA	3 = 3P	TM Line thermal magnetic protection	016-630	A with delay - without alarm output
	250	N = 50KA	4 = 4 pole 4 trip			B without delay - without alarm output
	400	H = 70KA	R = 4 pole 3 trips	E with delay - with alarm output		
	630			F without delay - with alarm output		
				MC Magnetic only protection		

For example: CE125N3TM016A

CE series circuit breaker with leakage protection – Frame 125 – 50KA – 3P – Line thermal magnetic trip – 16A – Leakage delay type

### Record\* C - General specifications

		Rated current	16	20	25	32	40	50	63	80	100	125	140	160	180	200	225	250	315	350	400	500	630	700	800	
CB125	35KA	3P	-	■	■	■	■	■	■	■	■	■														
	50KA	3P	4P	■	■	■	■	■	■	■	■	■														
CB250	35KA	3P	-								■	■	■	■	■	■	■	■								
	50KA	3P	4P								■	■	■	■	■	■	■	■								
CB400	35KA	3P	-															■	■	■	■	■				
	50KA	3P	-															■	■	■	■	■				
CB630	35KA	3P	-																			■	■	■		
	50KA	3P	-																			■	■	■		
CB800	35KA	3P	-																							
	50KA	3P	-																					■	■	■
CB800	70KA	3P	4P																					■	■	■
	70KA	3P	4P																					■	■	■

		Rated current	16	20	25	32	40	50	63	80	100	125	140	160	180	200	225	250	315	350	400	500	630	700	800	
CE125	50KA	3P	4P	■	■	■	■	■	■	■	■	■														
CE250	50KA	3P	4P								■	■	■	■	■	■	■	■								
CE400	70KA	3P	4P															■	■	■	■	■				
CE630	70KA	3P	4P																			■	■	■		



- B.2 CB frame
- B.6 CE frame
  
- B.12 **Accessories**
- B.16 Auxiliary contact - suitable for CB/CE
- B.16 Alarm contact
- B.17 Under-voltage release
- B.18 Electrical operators
- B.19 Rotary handle


B.19	Connections for MCCBs CB / CE	Introduction and specifications	A
B.19	Operation and maintenance	Order codes	B
		Dimensions and applications	C
		Numerical index	X



## CB frame

## CB125

## Thermal magnetic protection




In (A)	3 Poles		4 Poles 4 Trips		4 Poles 3 Trips		
	Cat. no.	Ref. no.	Cat. no.	Ref. no.	Cat. no.	Ref. no.	
35kA S	16	CB125S3TM016	460001	-	-	-	-
	20	CB125S3TM020	460002	-	-	-	-
	25	CB125S3TM025	460003	-	-	-	-
	32	CB125S3TM030	460004	-	-	-	-
	40	CB125S3TM040	460005	-	-	-	-
	50	CB125S3TM050	460006	-	-	-	-
	63	CB125S3TM063	460007	-	-	-	-
	80	CB125S3TM080	460008	-	-	-	-
	100	CB125S3TM100	460009	-	-	-	-
	125	CB125S3TM125	460010	-	-	-	-
50kA N	16	CB125N3TM016	460050	CB125N4TM016	460104	CB125NRTM016	460013
	20	CB125N3TM020	460051	CB125N4TM020	460105	CB125NRTM020	460014
	25	CB125N3TM025	460052	CB125N4TM025	460106	CB125NRTM025	460015
	32	CB125N3TM030	460053	CB125N4TM030	460107	CB125NRTM030	460016
	40	CB125N3TM040	460054	CB125N4TM040	460108	CB125NRTM040	460017
	50	CB125N3TM050	460055	CB125N4TM050	460109	CB125NRTM050	460018
	63	CB125N3TM063	460056	CB125N4TM063	460110	CB125NRTM063	460019
	80	CB125N3TM080	460057	CB125N4TM080	460111	CB125NRTM080	460020
	100	CB125N3TM100	460058	CB125N4TM100	460112	CB125NRTM100	460021
	125	CB125N3TM125	460059	CB125N4TM125	460113	CB125NRTM125	460022

## CB frame

## CB250

## Thermal magnetic protection



In (A)	3 Poles		4 Poles 4 Trips		4 Poles 3 Trips		
	Cat. no.	Ref. no.	Cat. no.	Ref. no.	Cat. no.	Ref. no.	
35kA S	100	CB250S3TM100	460060	-	-	-	-
	125	CB250S3TM125	460061	-	-	-	-
	140	CB250S3TM140	460012	-	-	-	-
	160	CB250S3TM160	460011	-	-	-	-
	180	CB250S3TM180	460062	-	-	-	-
	200	CB250S3TM200	460063	-	-	-	-
	225	CB250S3TM225	460064	-	-	-	-
	250	CB250S3TM250	460065	-	-	-	-
50kA N	100	CB250N3TM100	460066	CB250N4TM100	460120	CB250NRTM100	460114
	125	CB250N3TM125	460067	CB250N4TM125	460121	CB250NRTM125	460115
	140	CB250N3TM140	460068	CB250N4TM140	460122	CB250NRTM140	460023
	160	CB250N3TM160	460069	CB250N4TM160	460123	CB250NRTM160	460024
	180	CB250N3TM180	460070	CB250N4TM180	460124	CB250NRTM180	460116
	200	CB250N3TM200	460071	CB250N4TM200	460125	CB250NRTM200	460117
	225	CB250N3TM225	460072	CB250N4TM225	460126	CB250NRTM225	460118
	250	CB250N3TM250	460073	CB250N4TM250	460127	CB250NRTM250	460119



**CB frame**

**CB400**

**Thermal magnetic protection**



	In (A)	3 Poles		4 Poles 4 Trips		4 Poles 3 Trips	
		Cat. no.	Ref. no.	Cat. no.	Ref. no.	Cat. no.	Ref. no.
35kA S	225	CB400S3TM225	460074	-	-	-	-
	250	CB400S3TM250	460075	-	-	-	-
	315	CB400S3TM315	460076	-	-	-	-
	350	CB400S3TM350	460077	-	-	-	-
	400	CB400S3TM400	460078	-	-	-	-
50kA N	225	CB400N3TM225	460079	-	-	-	-
	250	CB400N3TM250	460080	-	-	-	-
	315	CB400N3TM315	460081	-	-	-	-
	350	CB400N3TM350	460082	-	-	-	-
	400	CB400N3TM400	460083	-	-	-	-
70kA H	225	CB400H3TM225	460084	CB400H4TM225	460133	CB400HRTM225	460128
	250	CB400H3TM250	460085	CB400H4TM250	460134	CB400HRTM250	460129
	315	CB400H3TM315	460086	CB400H4TM315	460135	CB400HRTM315	460130
	350	CB400H3TM350	460087	CB400H4TM350	460136	CB400HRTM350	460131
	400	CB400H3TM400	460088	CB400H4TM400	460137	CB400HRTM400	460132

**CB frame**

**CB630**

**Thermal magnetic protection**



	In (A)	3 Poles		4 Poles 4 Trips		4 Poles 3 Trips	
		Cat. no.	Ref. no.	Cat. no.	Ref. no.	Cat. no.	Ref. no.
35kA S	400	CB630S3TM400	460089	-	-	-	-
	500	CB630S3TM500	460090	-	-	-	-
	630	CB630S3TM630	460091	-	-	-	-
50kA N	400	CB630N3TM400	460092	-	-	-	-
	500	CB630N3TM500	460093	-	-	-	-
	630	CB630N3TM630	460094	-	-	-	-
70kA H	400	CB630H3TM400	460095	CB630H4TM400	460144	CB630HRTM400	460141
	500	CB630H3TM500	460096	CB630H4TM500	460145	CB630HRTM500	460142
	630	CB630H3TM630	460097	CB630H4TM630	460146	CB630HRTM630	460143

**CB frame**

**CB800**

**Thermal magnetic protection**



	In (A)	3 Poles		4 Poles 4 Trips		4 Poles 3 Trips	
		Cat. no.	Ref. no.	Cat. no.	Ref. no.	Cat. no.	Ref. no.
50kA N	630	CB800N3TM630	460098	-	-	-	-
	700	CB800N3TM700	460099	-	-	-	-
	800	CB800N3TM800	460100	-	-	-	-
70kA H	630	CB800H3TM630	460101	CB800H4TM630	460153	CB800HRTM630	460150
	700	CB800H3TM700	460102	CB800H4TM700	460154	CB800HRTM700	460151
	800	CB800H3TM800	460103	CB800H4TM800	460155	CB800HRTM800	460152

Order codes

A

B

C


X



## CB frame

## CB125

## Magnetic only protection




In (A)	3 Poles		4 Poles 4 Trips		4 Poles 3 Trips		
	Cat. no.	Ref. no.	Cat. no.	Ref. no.	Cat. no.	Ref. no.	
35kA S	16	CB125S3MC016	460156	-	-	-	-
	20	CB125S3MC020	460157	-	-	-	-
	25	CB125S3MC025	460158	-	-	-	-
	32	CB125S3MC030	460159	-	-	-	-
	40	CB125S3MC040	460160	-	-	-	-
	50	CB125S3MC050	460161	-	-	-	-
	63	CB125S3MC063	460162	-	-	-	-
	80	CB125S3MC080	460163	-	-	-	-
	100	CB125S3MC100	460164	-	-	-	-
	125	CB125S3MC125	460165	-	-	-	-
50kA N	16	CB125N3MC016	460166	CB125N4MC016	460236	CB125NRMC016	460226
	20	CB125N3MC020	460167	CB125N4MC020	460237	CB125NRMC020	460227
	25	CB125N3MC025	460168	CB125N4MC025	460238	CB125NRMC025	460228
	32	CB125N3MC030	460169	CB125N4MC030	460239	CB125NRMC030	460229
	40	CB125N3MC040	460170	CB125N4MC040	460240	CB125NRMC040	460230
	50	CB125N3MC050	460171	CB125N4MC050	460241	CB125NRMC050	460231
	63	CB125N3MC063	460172	CB125N4MC063	460242	CB125NRMC063	460232
	80	CB125N3MC080	460173	CB125N4MC080	460243	CB125NRMC080	460233
	100	CB125N3MC100	460174	CB125N4MC100	460244	CB125NRMC100	460234
	125	CB125N3MC125	460175	CB125N4MC125	460245	CB125NRMC125	460235

## CB frame

## CB250

## Magnetic only protection



In (A)	3 Poles		4 Poles 4 Trips		4 Poles 3 Trips		
	Cat. no.	Ref. no.	Cat. no.	Ref. no.	Cat. no.	Ref. no.	
35kA S	100	CB250S3MC100	460176	-	-	-	-
	125	CB250S3MC125	460177	-	-	-	-
	140	CB250S3MC140	460178	-	-	-	-
	160	CB250S3MC160	460179	-	-	-	-
	180	CB250S3MC180	460180	-	-	-	-
	200	CB250S3MC200	460181	-	-	-	-
	225	CB250S3MC225	460182	-	-	-	-
	250	CB250S3MC250	460183	-	-	-	-
50kA N	100	CB250N3MC100	460184	CB250N4MC100	460262	CB250NRMC100	460254
	125	CB250N3MC125	460185	CB250N4MC125	460263	CB250NRMC125	460255
	140	CB250N3MC140	460186	CB250N4MC140	460264	CB250NRMC140	460256
	160	CB250N3MC160	460187	CB250N4MC160	460265	CB250NRMC160	460257
	180	CB250N3MC180	460188	CB250N4MC180	460266	CB250NRMC180	460258
	200	CB250N3MC200	460189	CB250N4MC200	460267	CB250NRMC200	460259
	225	CB250N3MC225	460190	CB250N4MC225	460268	CB250NRMC225	460260
250	CB250N3MC250	460191	CB250N4MC250	460269	CB250NRMC250	460261	

**CB frame**

**CB400**

**Magnetic only protection**



	In (A)	3 Poles		4 Poles 4 Trips		4 Poles 3 Trips	
		Cat. no.	Ref. no.	Cat. no.	Ref. no.	Cat. no.	Ref. no.
35kA S	225	CB400S3MC225	460192	-	-	-	-
	250	CB400S3MC250	460193	-	-	-	-
	315	CB400S3MC315	460194	-	-	-	-
	350	CB400S3MC350	460195	-	-	-	-
	400	CB400S3MC400	460196	-	-	-	-
50kA N	225	CB400N3MC225	460197	-	-	-	-
	250	CB400N3MC250	460198	-	-	-	-
	315	CB400N3MC315	460199	-	-	-	-
	350	CB400N3MC350	460200	-	-	-	-
	400	CB400N3MC400	460201	-	-	-	-
70KA H	225	CB400H3MC225	460202	CB400H4MC225	460280	CB400HRMC225	460275
	250	CB400H3MC250	460203	CB400H4MC250	460281	CB400HRMC250	460276
	315	CB400H3MC315	460204	CB400H4MC315	460282	CB400HRMC315	460277
	350	CB400H3MC350	460205	CB400H4MC350	460283	CB400HRMC350	460278
	400	CB400H3MC400	460206	CB400H4MC400	460284	CB400HRMC400	460279

**CB frame**

**CB630**

**Magnetic only protection**



	In (A)	3 Poles		4 Poles 4 Trips		4 Poles 3 Trips	
		Cat. no.	Ref. no.	Cat. no.	Ref. no.	Cat. no.	Ref. no.
35kA S	400	CB630S3MC400	460207	-	-	-	-
	500	CB630S3MC500	460208	-	-	-	-
	630	CB630S3MC630	460209	-	-	-	-
50kA N	400	CB630N3MC400	460210	-	-	-	-
	500	CB630N3MC500	460211	-	-	-	-
	630	CB630N3MC630	460212	-	-	-	-
70KA H	400	CB630H3MC400	460213	CB630H4MC400	460291	CB630HRMC400	460288
	500	CB630H3MC500	460214	CB630H4MC500	460292	CB630HRMC500	460289
	630	CB630H3MC630	460215	CB630H4MC630	460293	CB630HRMC630	460290

Order codes

A

B

C

X

## CE frame

## CE125

## Thermal-magnetic protection



Leakage type

A

B

C

X

50kA

N

In (A)	3 Poles		4 Poles 4 Trips		4 Poles 3 Trips	
	Cat. no.	Ref. no.	Cat. no.	Ref. no.	Cat. no.	Ref. no.
<i>With delayed residual current device</i>						
16	CE125N3TM016A	460407	CE125N4TM016A	460587	CE125NRTM016A	460947
20	CE125N3TM020A	460413	CE125N4TM020A	460593	CE125NRTM020A	460953
25	CE125N3TM025A	460419	CE125N4TM025A	460599	CE125NRTM025A	460959
32	CE125N3TM032A	460425	CE125N4TM032A	460605	CE125NRTM032A	460965
40	CE125N3TM040A	460431	CE125N4TM040A	460611	CE125NRTM040A	460971
50	CE125N3TM050A	460437	CE125N4TM050A	460617	CE125NRTM050A	460977
63	CE125N3TM063A	460443	CE125N4TM063A	460623	CE125NRTM063A	460983
80	CE125N3TM080A	460449	CE125N4TM080A	460629	CE125NRTM080A	460989
100	CE125N3TM100A	460455	CE125N4TM100A	460635	CE125NRTM100A	460995
125	CE125N3TM125A	460461	CE125N4TM125A	460641	CE125NRTM125A	461001
<i>With residual current device</i>						
16	CE125N3TM016B	460408	CE125N4TM016B	460588	CE125NRTM016B	460948
20	CE125N3TM020B	460414	CE125N4TM020B	460594	CE125NRTM020B	460954
25	CE125N3TM025B	460420	CE125N4TM025B	460600	CE125NRTM025B	460960
32	CE125N3TM032B	460426	CE125N4TM032B	460606	CE125NRTM032B	460966
40	CE125N3TM040B	460432	CE125N4TM040B	460612	CE125NRTM040B	460972
50	CE125N3TM050B	460438	CE125N4TM050B	460618	CE125NRTM050B	460978
63	CE125N3TM063B	460444	CE125N4TM063B	460624	CE125NRTM063B	460984
80	CE125N3TM080B	460450	CE125N4TM080B	460630	CE125NRTM080B	460990
100	CE125N3TM100B	460456	CE125N4TM100B	460636	CE125NRTM100B	460996
125	CE125N3TM125B	460462	CE125N4TM125B	460642	CE125NRTM125B	461002
<i>With delayed residual current device and alarm</i>						
16	CE125N3TM016E	460411	CE125N4TM016E	460591	CE125NRTM016E	460951
20	CE125N3TM020E	460417	CE125N4TM020E	460597	CE125NRTM020E	460957
25	CE125N3TM025E	460423	CE125N4TM025E	460603	CE125NRTM025E	460963
32	CE125N3TM032E	460429	CE125N4TM032E	460609	CE125NRTM032E	460969
40	CE125N3TM040E	460435	CE125N4TM040E	460615	CE125NRTM040E	460975
50	CE125N3TM050E	460441	CE125N4TM050E	460621	CE125NRTM050E	460981
63	CE125N3TM063E	460447	CE125N4TM063E	460627	CE125NRTM063E	460987
80	CE125N3TM080E	460453	CE125N4TM080E	460633	CE125NRTM080E	460993
100	CE125N3TM100E	460459	CE125N4TM100E	460639	CE125NRTM100E	460999
125	CE125N3TM125E	460465	CE125N4TM125E	460645	CE125NRTM125E	461005
<i>With residual current device and alarm</i>						
16	CE125N3TM016F	460412	CE125N4TM016F	460592	CE125NRTM016F	460952
20	CE125N3TM020F	460418	CE125N4TM020F	460598	CE125NRTM020F	460958
25	CE125N3TM025F	460424	CE125N4TM025F	460604	CE125NRTM025F	460964
32	CE125N3TM032F	460430	CE125N4TM032F	460610	CE125NRTM032F	460970
40	CE125N3TM040F	460436	CE125N4TM040F	460616	CE125NRTM040F	460976
50	CE125N3TM050F	460442	CE125N4TM050F	460622	CE125NRTM050F	460982
63	CE125N3TM063F	460448	CE125N4TM063F	460628	CE125NRTM063F	460988
80	CE125N3TM080F	460454	CE125N4TM080F	460634	CE125NRTM080F	460994
100	CE125N3TM100F	460460	CE125N4TM100F	460640	CE125NRTM100F	461000
125	CE125N3TM125F	460466	CE125N4TM125F	460646	CE125NRTM125F	461006



CE frame

CE250

Thermal-magnetic protection



In (A)	3 Poles		4 Poles 4 Trips		4 Poles 3 Trips	
	Cat. no.	Ref. no.	Cat. no.	Ref. no.	Cat. no.	Ref. no.
<i>With delayed residual current device</i>						
100	CE250N3TM100A	461115	CE250N4TM100A	461259	CE250NRTM100A	461547
125	CE250N3TM125A	461121	CE250N4TM125A	461265	CE250NRTM125A	461553
140	CE250N3TM140A	461127	CE250N4TM140A	461271	CE250NRTM140A	461559
160	CE250N3TM160A	461133	CE250N4TM160A	461277	CE250NRTM160A	461565
180	CE250N3TM180A	461139	CE250N4TM180A	461283	CE250NRTM180A	461571
200	CE250N3TM200A	461145	CE250N4TM200A	461289	CE250NRTM200A	461577
225	CE250N3TM225A	461151	CE250N4TM225A	461295	CE250NRTM225A	461583
250	CE250N3TM250A	461157	CE250N4TM250A	461301	CE250NRTM250A	461589
<i>With residual current device</i>						
100	CE250N3TM100B	461116	CE250N4TM100B	461260	CE250NRTM100B	461548
125	CE250N3TM125B	461122	CE250N4TM125B	461266	CE250NRTM125B	461554
140	CE250N3TM140B	461128	CE250N4TM140B	461272	CE250NRTM140B	461560
160	CE250N3TM160B	461134	CE250N4TM160B	461278	CE250NRTM160B	461566
180	CE250N3TM180B	461140	CE250N4TM180B	461284	CE250NRTM180B	461572
200	CE250N3TM200B	461146	CE250N4TM200B	461290	CE250NRTM200B	461578
225	CE250N3TM225B	461152	CE250N4TM225B	461296	CE250NRTM225B	461584
250	CE250N3TM250B	461158	CE250N4TM250B	461302	CE250NRTM250B	461590
<i>With delayed residual current device and alarm</i>						
100	CE250N3TM100E	461119	CE250N4TM100E	461263	CE250NRTM100E	461551
125	CE250N3TM125E	461125	CE250N4TM125E	461269	CE250NRTM125E	461557
140	CE250N3TM140E	461131	CE250N4TM140E	461275	CE250NRTM140E	461563
160	CE250N3TM160E	461137	CE250N4TM160E	461281	CE250NRTM160E	461569
180	CE250N3TM180E	461143	CE250N4TM180E	461287	CE250NRTM180E	461575
200	CE250N3TM200E	461149	CE250N4TM200E	461293	CE250NRTM200E	461581
225	CE250N3TM225E	461155	CE250N4TM225E	461299	CE250NRTM225E	461587
250	CE250N3TM250E	461161	CE250N4TM250E	461305	CE250NRTM250E	461593
<i>With delayed residual current device and alarm</i>						
100	CE250N3TM100F	461120	CE250N4TM100F	461264	CE250N4TM100F	461264
125	CE250N3TM125F	461126	CE250N4TM125F	461270	CE250N4TM125F	461270
140	CE250N3TM140F	461132	CE250N4TM140F	461276	CE250N4TM140F	461276
160	CE250N3TM160F	461138	CE250N4TM160F	461282	CE250N4TM160F	461282
180	CE250N3TM180F	461144	CE250N4TM180F	461288	CE250N4TM180F	461288
200	CE250N3TM200F	461150	CE250N4TM200F	461294	CE250N4TM200F	461294
225	CE250N3TM225F	461156	CE250N4TM225F	461300	CE250N4TM225F	461300
250	CE250N3TM250F	461162	CE250N4TM250F	461306	CE250N4TM250F	461306

50kA  
N

Order codes

A

B

C

X



## CE frame

## CE400

## Thermal-magnetic protection



Leakage type

A

B

C

X

In (A)	3 Poles		4 Poles 4 Trips		4 Poles 3 Trips	
	Cat. no.	Ref. no.	Cat. no.	Ref. no.	Cat. no.	Ref. no.
<i>With delayed residual current device</i>						
225	CE400H3TM225A	461673	CE400H4TM225A	461763	CE400HRTM225A	461943
250	CE400H3TM250A	461679	CE400H4TM250A	461769	CE400HRTM250A	461949
315	CE400H3TM315A	461685	CE400H4TM315A	461775	CE400HRTM315A	461955
350	CE400H3TM350A	461691	CE400H4TM350A	461781	CE400HRTM350A	461961
400	CE400H3TM400A	461697	CE400H4TM400A	461787	CE400HRTM400A	461967
<i>With residual current device</i>						
225	CE400H3TM225B	461674	CE400H4TM225B	461764	CE400HRTM225B	461944
250	CE400H3TM250B	461680	CE400H4TM250B	461770	CE400HRTM250B	461950
315	CE400H3TM315B	461686	CE400H4TM315B	461776	CE400HRTM315B	461956
350	CE400H3TM350B	461692	CE400H4TM350B	461782	CE400HRTM350B	461962
400	CE400H3TM400B	461698	CE400H4TM400B	461788	CE400HRTM400B	461968
<i>With delayed residual current device and alarm</i>						
225	CE400H3TM225E	461677	CE400H4TM225E	461767	CE400HRTM225E	461947
250	CE400H3TM250E	461683	CE400H4TM250E	461773	CE400HRTM250E	461953
315	CE400H3TM315E	461689	CE400H4TM315E	461779	CE400HRTM315E	461959
350	CE400H3TM350E	461695	CE400H4TM350E	461785	CE400HRTM350E	461965
400	CE400H3TM400E	461701	CE400H4TM400E	461791	CE400HRTM400E	461971
<i>With residual current device and alarm</i>						
225	CE400H3TM225F	461678	CE400H4TM225F	461768	CE400HRTM225F	461948
250	CE400H3TM250F	461684	CE400H4TM250F	461774	CE400HRTM250F	461954
315	CE400H3TM315F	461690	CE400H4TM315F	461780	CE400HRTM315F	461960
350	CE400H3TM350F	461696	CE400H4TM350F	461786	CE400HRTM350F	461966
400	CE400H3TM400F	461702	CE400H4TM400F	461792	CE400HRTM400F	461972

## CE frame

## CE630

## Thermal-magnetic protection



In (A)	3 Poles		4 Poles 4 Trips		4 Poles 3 Trips	
	Cat. no.	Ref. no.	Cat. no.	Ref. no.	Cat. no.	Ref. no.
<i>With delayed residual current device</i>						
400	CE630H3TM400A	462021	CE630H4TM400A	462075	CE630HRTM400A	462183
500	CE630H3TM500A	462027	CE630H4TM500A	462081	CE630HRTM500A	462189
630	CE630H3TM630A	462033	CE630H4TM630A	462087	CE630HRTM630A	462195
<i>With residual current device</i>						
400	CE630H3TM400B	462022	CE630H4TM400B	462076	CE630HRTM400B	462184
500	CE630H3TM500B	462028	CE630H4TM500B	462082	CE630HRTM500B	462190
630	CE630H3TM630B	462034	CE630H4TM630B	462088	CE630HRTM630B	462196
<i>With delayed residual current device and alarm</i>						
400	CE630H3TM400E	462025	CE630H4TM400E	462079	CE630HRTM400E	462187
500	CE630H3TM500E	462031	CE630H4TM500E	462085	CE630HRTM500E	462193
630	CE630H3TM630E	462037	CE630H4TM630E	462091	CE630HRTM630E	462199
<i>With residual current device and alarm</i>						
400	CE630H3TM400F	462026	CE630H4TM400F	462080	CE630HRTM400F	462188
500	CE630H3TM500F	462032	CE630H4TM500F	462086	CE630HRTM500F	462194
630	CE630H3TM630F	462038	CE630H4TM630F	462092	CE630HRTM630F	462200



CE frame

CE125

Magnetic-only protection



In (A)	3 Poles		4 Poles 4 Trips		4 Poles 3 Trips	
	Cat. no.	Ref. no.	Cat. no.	Ref. no.	Cat. no.	Ref. no.
<i>With delayed residual current device</i>						
16	CE125N3MC016A	460347	CE125N4MC016A	460527	CE125NRMC016A	460887
20	CE125N3MC020A	460353	CE125N4MC020A	460533	CE125NRMC020A	460893
25	CE125N3MC025A	460359	CE125N4MC025A	460539	CE125NRMC025A	460899
32	CE125N3MC032A	460365	CE125N4MC032A	460545	CE125NRMC032A	460905
40	CE125N3MC040A	460371	CE125N4MC040A	462261	CE125NRMC040A	460911
50	CE125N3MC050A	460377	CE125N4MC050A	460557	CE125NRMC050A	460917
63	CE125N3MC063A	460383	CE125N4MC063A	460563	CE125NRMC063A	460923
80	CE125N3MC080A	460389	CE125N4MC080A	460569	CE125NRMC080A	460929
100	CE125N3MC100A	460395	CE125N4MC100A	460575	CE125NRMC100A	460935
125	CE125N3MC125A	460401	CE125N4MC125A	460581	CE125NRMC125A	460941
<i>With residual current device</i>						
16	CE125N3MC016B	460348	CE125N4MC016B	460528	CE125NRMC016B	460888
20	CE125N3MC020B	460354	CE125N4MC020B	460534	CE125NRMC020B	460894
25	CE125N3MC025B	460360	CE125N4MC025B	460540	CE125NRMC025B	460900
32	CE125N3MC032B	460366	CE125N4MC032B	460546	CE125NRMC032B	460906
40	CE125N3MC040B	460372	CE125N4MC040B	460552	CE125NRMC040B	460912
50	CE125N3MC050B	460378	CE125N4MC050B	460558	CE125NRMC050B	460918
63	CE125N3MC063B	460384	CE125N4MC063B	460564	CE125NRMC063B	460924
80	CE125N3MC080B	460390	CE125N4MC080B	460570	CE125NRMC080B	460930
100	CE125N3MC100B	460396	CE125N4MC100B	460576	CE125NRMC100B	460936
125	CE125N3MC125B	460402	CE125N4MC125B	460582	CE125NRMC125B	460942
<i>With delayed residual current device and alarm</i>						
16	CE125N3MC016E	460351	CE125N4MC016E	460531	CE125NRMC016E	460891
20	CE125N3MC020E	460357	CE125N4MC020E	460537	CE125NRMC020E	460897
25	CE125N3MC025E	460363	CE125N4MC025E	460543	CE125NRMC025E	460903
32	CE125N3MC032E	460369	CE125N4MC032E	460549	CE125NRMC032E	460909
40	CE125N3MC040E	460375	CE125N4MC040E	460555	CE125NRMC040E	460915
50	CE125N3MC050E	460381	CE125N4MC050E	460561	CE125NRMC050E	460921
63	CE125N3MC063E	460387	CE125N4MC063E	460567	CE125NRMC063E	460927
80	CE125N3MC080E	460393	CE125N4MC080E	460573	CE125NRMC080E	460933
100	CE125N3MC100E	460399	CE125N4MC100E	460579	CE125NRMC100E	460939
125	CE125N3MC125E	460405	CE125N4MC125E	460585	CE125NRMC125E	460945
<i>With residual current device and alarm</i>						
16	CE125N3MC016F	460352	CE125N4MC016F	460532	CE125NRMC016F	460892
20	CE125N3MC020F	460358	CE125N4MC020F	460538	CE125NRMC020F	460898
25	CE125N3MC025F	460364	CE125N4MC025F	460544	CE125NRMC025F	460904
32	CE125N3MC032F	460370	CE125N4MC032F	460550	CE125NRMC032F	460910
40	CE125N3MC040F	460376	CE125N4MC040F	460556	CE125NRMC040F	460916
50	CE125N3MC050F	460382	CE125N4MC050F	460562	CE125NRMC050F	460922
63	CE125N3MC063F	460388	CE125N4MC063F	460568	CE125NRMC063F	460928
80	CE125N3MC080F	460394	CE125N4MC080F	460574	CE125NRMC080F	460934
100	CE125N3MC100F	460400	CE125N4MC100F	460580	CE125NRMC100F	460940
125	CE125N3MC125F	460406	CE125N4MC125F	460586	CE125NRMC125F	460946

50kA  
N

Order codes

A

B

C

X



## CE frame

## CE125

## Magnetic-only protection



Leakage type

A

B

C

X

50kA

N

In (A)	3 Poles		4 Poles 4 Trips		4 Poles 3 Trips	
	Cat. no.	Ref. no.	Cat. no.	Ref. no.	Cat. no.	Ref. no.
<i>With delayed residual current device</i>						
100	CE250N3MC100A	461067	CE250N4MC100A	461211	CE250NRMC100A	461499
125	CE250N3MC125A	461073	CE250N4MC125A	461217	CE250NRMC125A	461505
140	CE250N3MC140A	461079	CE250N4MC140A	461223	CE250NRMC140A	461511
160	CE250N3MC160A	461085	CE250N4MC160A	461229	CE250NRMC160A	461517
180	CE250N3MC180A	461091	CE250N4MC180A	461235	CE250NRMC180A	461523
200	CE250N3MC200A	461097	CE250N4MC200A	461241	CE250NRMC200A	461529
225	CE250N3MC225A	461103	CE250N4MC225A	461247	CE250NRMC225A	461535
250	CE250N3MC250A	461109	CE250N4MC250A	461253	CE250NRMC250A	461541
<i>With residual current device</i>						
100	CE250N3MC100B	461068	CE250N4MC100B	461212	CE250NRMC100B	461500
125	CE250N3MC125B	461074	CE250N4MC125B	461218	CE250NRMC125B	461506
140	CE250N3MC140B	461080	CE250N4MC140B	461224	CE250NRMC140B	461512
160	CE250N3MC160B	461086	CE250N4MC160B	461230	CE250NRMC160B	461518
180	CE250N3MC180B	461092	CE250N4MC180B	461236	CE250NRMC180B	461524
200	CE250N3MC200B	461098	CE250N4MC200B	461242	CE250NRMC200B	461530
225	CE250N3MC225B	461104	CE250N4MC225B	461248	CE250NRMC225B	461536
250	CE250N3MC250B	461110	CE250N4MC250B	461254	CE250NRMC250B	461542
<i>With delayed residual current device and alarm</i>						
100	CE250N3MC100E	461071	CE250N4MC100E	461215	CE250NRMC100E	461503
125	CE250N3MC125E	461077	CE250N4MC125E	461221	CE250NRMC125E	461509
140	CE250N3MC140E	461083	CE250N4MC140E	461227	CE250NRMC140E	461515
160	CE250N3MC160E	461089	CE250N4MC160E	461233	CE250NRMC160E	461521
180	CE250N3MC180E	461095	CE250N4MC180E	461239	CE250NRMC180E	461527
200	CE250N3MC200E	461101	CE250N4MC200E	461245	CE250NRMC200E	461533
225	CE250N3MC225E	461107	CE250N4MC225E	461251	CE250NRMC225E	461539
250	CE250N3MC250E	461113	CE250N4MC250E	461257	CE250NRMC250E	461545
<i>With residual current device and alarm</i>						
100	CE250N3MC100F	461072	CE250N4MC100F	461216	CE250NRMC100F	461504
125	CE250N3MC125F	461078	CE250N4MC125F	461222	CE250NRMC125F	461510
140	CE250N3MC140F	461084	CE250N4MC140F	461228	CE250NRMC140F	461516
160	CE250N3MC160F	461090	CE250N4MC160F	461234	CE250NRMC160F	461522
180	CE250N3MC180F	461096	CE250N4MC180F	461240	CE250NRMC180F	461528
200	CE250N3MC200F	461102	CE250N4MC200F	461246	CE250NRMC200F	461534
225	CE250N3MC225F	461108	CE250N4MC225F	461252	CE250NRMC225F	461540
250	CE250N3MC250F	461114	CE250N4MC250F	461258	CE250NRMC250F	461546





### CE frame

### CE400

### Magnetic-only protection



In (A)	3 Poles		4 Poles 4 Trips		4 Poles 3 Trips	
	Cat. no.	Ref. no.	Cat. no.	Ref. no.	Cat. no.	Ref. no.
<b>With delayed residual current device</b>						
225	CE400H3MC225A	461643	CE400H4MC225A	461733	CE400HRMC225A	461913
250	CE400H3MC250A	461649	CE400H4MC250A	461739	CE400HRMC250A	461919
315	CE400H3MC315A	461655	CE400H4MC315A	461745	CE400HRMC315A	461925
350	CE400H3MC350A	461661	CE400H4MC350A	461751	CE400HRMC350A	461931
400	CE400H3MC400A	461667	CE400H4MC400A	461757	CE400HRMC400A	461937
<b>With residual current device</b>						
225	CE400H3MC225B	461644	CE400H4MC225B	461734	CE400HRMC225B	461914
250	CE400H3MC250B	461650	CE400H4MC250B	461740	CE400HRMC250B	461920
315	CE400H3MC315B	461656	CE400H4MC315B	461746	CE400HRMC315B	461926
350	CE400H3MC350B	461662	CE400H4MC350B	461752	CE400HRMC350B	461932
400	CE400H3MC400B	461668	CE400H4MC400B	461758	CE400HRMC400B	461938
<b>With delayed residual current device and alarm</b>						
225	CE400H3MC225E	461647	CE400H4MC225E	461737	CE400HRMC225E	461917
250	CE400H3MC250E	461653	CE400H4MC250E	461743	CE400HRMC250E	461923
315	CE400H3MC315E	461659	CE400H4MC315E	461749	CE400HRMC315E	461929
350	CE400H3MC350E	461665	CE400H4MC350E	461755	CE400HRMC350E	461935
400	CE400H3MC400E	461671	CE400H4MC400E	461761	CE400HRMC400E	461941
<b>With residual current device and alarm</b>						
225	CE400H3MC225F	461648	CE400H4MC225F	461738	CE400HRMC225F	461918
250	CE400H3MC250F	461654	CE400H4MC250F	461744	CE400HRMC250F	461924
315	CE400H3MC315F	461660	CE400H4MC315F	461750	CE400HRMC315F	461930
350	CE400H3MC350F	461666	CE400H4MC350F	461756	CE400HRMC350F	461936
400	CE400H3MC400F	461672	CE400H4MC400F	461762	CE400HRMC400F	461942

70kA  
H

Order codes

A

B

C

X

### CE frame

### CE630

### Magnetic-only protection



In (A)	3 Poles		4 Poles 4 Trips		4 Poles 3 Trips	
	Cat. no.	Ref. no.	Cat. no.	Ref. no.	Cat. no.	Ref. no.
<b>With delayed residual current device</b>						
400	CE630H3MC400A	462003	CE630H4MC400A	462057	CE630HRMC400A	462165
500	CE630H3MC500A	462009	CE630H4MC500A	462063	CE630HRMC500A	462171
630	CE630H3MC630A	462015	CE630H4MC630A	462069	CE630HRMC630A	462177
<b>With residual current device</b>						
400	CE630H3MC400B	462004	CE630H4MC400B	462058	CE630HRMC400B	462166
500	CE630H3MC500B	462010	CE630H4MC500B	462064	CE630HRMC500B	462172
630	CE630H3MC630B	462016	CE630H4MC630B	462070	CE630HRMC630B	462178
<b>With delayed residual current device and alarm</b>						
400	CE630H3MC400E	462007	CE630H4MC400E	462061	CE630HRMC400E	462169
500	CE630H3MC500E	462013	CE630H4MC500E	462067	CE630HRMC500E	462175
630	CE630H3MC630E	462019	CE630H4MC630E	462073	CE630HRMC630E	462181
<b>With residual current device and alarm</b>						
400	CE630H3MC400F	462008	CE630H4MC400F	462062	CE630HRMC400F	462170
500	CE630H3MC500F	462014	CE630H4MC500F	462068	CE630HRMC500F	462176
630	CE630H3MC630F	462020	CE630H4MC630F	462074	CE630HRMC630F	462182

70kA  
H



## Accessories

## Single auxiliary contact

For breaker type	Cat. no.	Ref. no.	Cat. no.	Ref. no.
	LEFT		RIGHT	
Single auxiliary contact				
CB125/CE125	CB125FAS1L	460325	CB125FAS1R	460029
CB250/CE250	CB250FAS1L	460328	CB250FAS1R	460038
CB400/630/800 - CE400/630	CB400FAS1L	460333	CB400FAS1R	460046

## Dual auxiliary contact

Dual auxiliary contact:	Cat. no.	Ref. no.	Cat. no.	Ref. no.
	LEFT		RIGHT	
Dual auxiliary contact:				
CB125/CE125	CB125FAS2L	460326	CB125FAS2R	460030
CB250/CE250	CB250FAS2L	460329	CB250FAS2R	460039
CB400/630/800 - CE400/630	CB400FAS2L	460341	CB400FAS2R	460047

## Single alarm contact

	Cat. no.	Ref. no.	Cat. no.	Ref. no.
	LEFT		RIGHT	
Single alarm contact				
CB125/CE125	CB125BAML	460324	CB125BAMR	460025
CB250/CE250	CB250BAML	460327	CB250BAMR	460034
CB400/630/800 - CE400/630	CB400BAML	460332	CB400BAMR	460331

## Auxiliary and Alarm contacts module

	Cat. no.	Ref. no.	Cat. no.	Ref. no.
	LEFT		RIGHT	
Single alarm contact				
CB125/CE125	CB125FASBAT1L	462219	CB125FASBAT1R	462221
CB250/CE250	CB250FASBAT1L	462220	CB250FASBAT1R	462222
Dual alarm contact				
CB400/630/800 - CE400/630	CB400FASBAT2L	460340	CB400FASBAT2R	460339

## Shunt release

Shunt release	Cat. no.	Ref. no.	Cat. no.	Ref. no.
	LEFT		RIGHT	
Shunt release				
CB125/CE125 230VAC	CE125SHTL	462223	CB125SHTR	460031
CB250/CE205 230VAC	CE250SHTL	462224	CB250SHTR	460040
CB400/630/800 - CE400/630 230VAC	CE400SHTL	462225	CB400SHTR	460048

## Under-voltage release

Under-voltage release	Cat. no.	Ref. no.	Cat. no.	Ref. no.
	LEFT			
Under-voltage release				
CB125/CE125 230VAC	CB125UVRN	460032		
CB125/CE125 400VAC	CB125UVR8	460033		
CB250/CE250 230VAC	CB250UVRN	460041		
CB250/CE250 400VAC	CB250UVR8	460042		
CB400/630 - CE400 230VAC	CB400UVRN	460049		NA
CB400/630 - CE400 400VAC	CB400UVR8	462226		
CB800/CE630 - 230VAC	CB800UVRN	462227		
CB800/CE630 - 400VAC	CB800UVR8	462228		

## Rotary handle

Rotary handle	Cat. no.	Ref. no.	Cat. no.	Ref. no.
Rotary handle				
CB125/CE125	CB125NRF1A	460028		
CB250/CE250	CB250NRF1A	460037		
CB400/CE400 3P	CB400NRF1A3	460338		
CB400/CE400 4P	CB400NRF1A4	460330		
CB630NRF1A3	CB630NRF1A3	460344		
CB630NRF1A4	CB630NRF1A4	460342		
CB800NRF1A3	CB800NRF1A3	460045		
CB800NRF1A4	CB800NRF1A4	460345		NA

Notes: The last 2 digits of the product model

1. A stands for round cover plate, 2. 3P stands for 3Poles breaker mounting, 3. 4P stands for 4Poles breaker mounting

## Accessories

### Electric operating mechanism

For breaker type	Cat. no.	Ref. no.
CB125/CE125 230VAC	CB125FCMFS	460299
CB250/CE250 230VAC	CB250FCMFS	460305
CB400/CE400 230VAC	CB400FCMF	460334
CB630 230VAC	CB630FCMF	460343
CB800/CE630 230VAC	CB800FCMF	460346

### Extended spreader

For breaker type	Cat. no.	Ref. no.	Cat. no.	Ref. no.
<b>Spreader busbar:</b>	<b>3P</b>		<b>4P</b>	
CB125/CE125	CB125BSS3	460026	CB125BSS4	460027
CB250/CE250	CB250BSS3	460035	CB250BSS4	460036
CB400/CE400	CB400BSS3	460306	CB400BSS4	460307
CB630	CB630BSS3	460313	CB630BSS4	460314
CB800/CE630	CB800BSS3	460043	CB800BSS4	460044

### Rear connections

For breaker type	Cat. no.	Ref. no.	Cat. no.	Ref. no.
<b>Rear terminal:</b>	<b>3P</b>		<b>4P</b>	
CB125/CE125	CB125BRC3	460294	CB125BRC4	460295
CB250/CE250	CB250BRC3	460300	CB250BRC4	460301
CB400/CE400	CB400BRC3	460308	CB400BRC4	460309
CB630	CB630BRC3	460315	CB630BRC4	460316
CB800/CE630	CB800BRC3	460320	CB800BRC4	460321

### Plug-in kit - Front connections

For breaker type	Cat. no.	Ref. no.	Cat. no.	Ref. no.
<b>Front connections:</b>	<b>3P</b>		<b>4P</b>	
CB125	CB125FCMFS	460299	NA	
CB250	CB250FCMFS	460305		
CB400/CE400	CB400FCMF	460334		
CB630	CB630FCMF	460343		

### Plug-in kit - Rear connections

For breaker type	Cat. no.	Ref. no.	Cat. no.	Ref. no.
<b>Rear connections:</b>	<b>3P</b>		<b>4P</b>	
CB125	CB125DDF3	460296	CB125DDF4	460297
CB250	CB250DDF3	460302	CB250DDF4	460303
CB400/CE400	CB400DDF3	460310	CB400DDF4	460311
CB630	CB630DDF3	460317	CB630DDF4	460318
CB800/CE630	CB800DDF3	460322	CB800DDF4	460323

Order codes

A

B

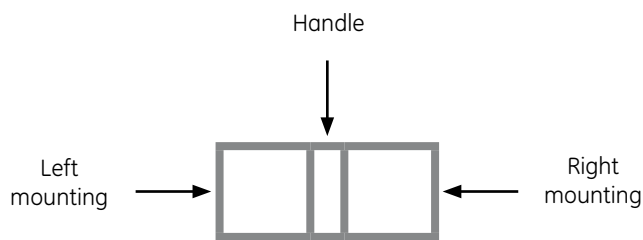
C

X



## Accessories - CB

Code	Accessory	CB125		CB250		CB400		CB630		CB800	
		3P	4P	3P	4P	3P	4P	3P	4P	3P	4P
00	None	-	-	-	-	-	-	-	-	-	-
10	Shunt release										
20	Dual auxiliary contact										
21	Single auxiliary contact										
30	Under-voltage release										
40	Shunt release + dual auxiliary contacts										
41	Shunt release + single auxiliary contact										
50	Shunt release + undervoltage release										
60	Two groups of dual auxiliary contact										
61	Two groups of single auxiliary contact										
62	Double auxiliary cont. + single auxiliary contact										
70	Under-voltage release + dual auxiliary contact										
71	Under-voltage release + single auxiliary contact										
08	Alarm contact										
18	Shunt release + alarm contact										
28	Dual auxiliary contact + alarm contact										
38	Under-voltage release + alarm contact										
48	Shunt release, single auxiliary + alarm contact			-	-	-	-	-	-	-	-
58	Single auxiliary alarm contact			-	-	-	-	-	-	-	-
68	Dual auxiliary contact + single auxiliary alarm contact										
78	Under-voltage release, single auxiliary + alarm contact									-	-

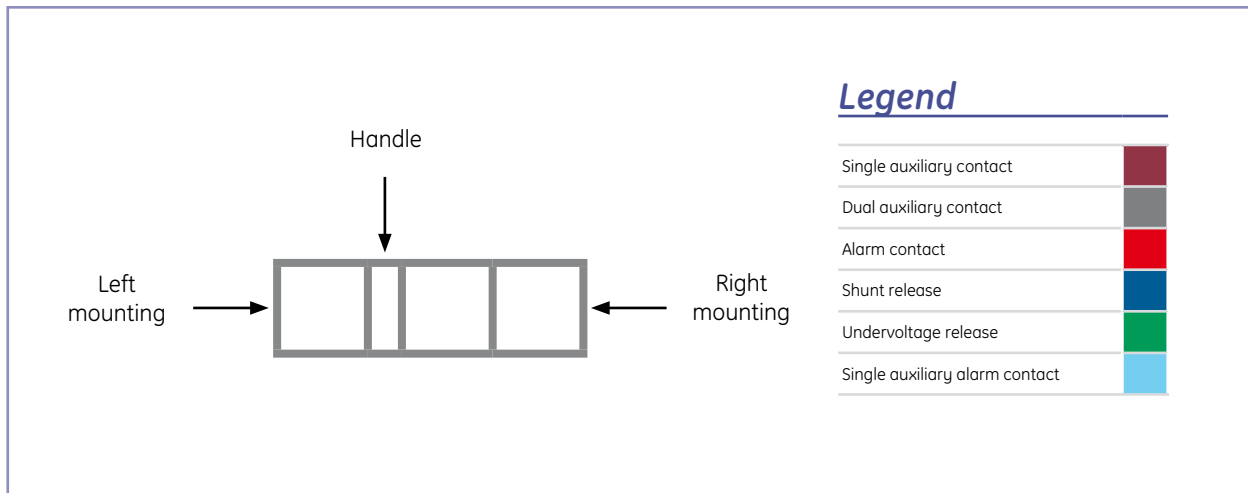


### Legend

Single auxiliary contact	
Dual auxiliary contact	
Alarm contact	
Shunt release	
Undervoltage release	
Single auxiliary alarm contact	

## Accessories - CE

Code	Accessory	CB125	CB250	CB400	CB630
		4P	4P	4P	4P
10	Shunt release				
20	Dual auxiliary contact				
21	Single auxiliary contact				
30	Under-voltage release				
40	Shunt release + dual auxiliary contacts				
41	Shunt release + single auxiliary contact				
60	Two groups of dual auxiliary contact				
61	Two groups of single auxiliary contact				
62	Double auxiliary cont. + single auxiliary contact				
70	Under-voltage release + dual auxiliary contact				
71	Under-voltage release + single auxiliary contact				
08	Alarm contact				
28	Dual auxiliary contact + alarm contact				
58	Under-voltage release + alarm contact				
68	Dual auxiliary contact + single auxiliary alarm contact				



Note: CE series 3P product could only use left-mounted single accessory.

Order codes

A

B

C

X



## Auxiliary contact - suitable for CB/CE

### Auxiliary contacts and its combination

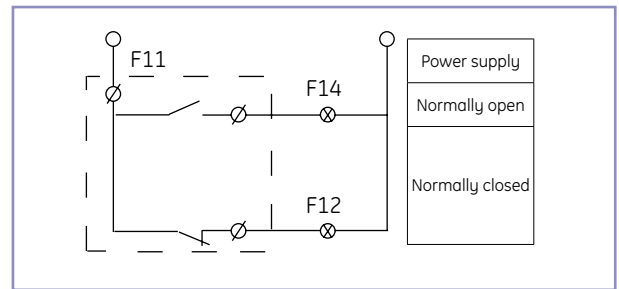
The circuit breaker in "open" or "tripped" position	Dual auxiliary contact	
	Single auxiliary contact	

### Technical parameters of the auxiliary contact - suitable for CB/CE

#### 1 - Characteristics of auxiliary contacts

Circuit breaker frame	Rated thermal current I <sub>th</sub>	Current consumption at AC 400V
CB 125-800/CE 125-630	3A	0.30A

#### Auxiliary contact wiring diagram



#### 2 - Electrical endurance

Category of use	Making			Breaking			Frequency	Operating frequency (times/hour)	Response time
	I/le	U/Ue	cosφ	I/le	U/Ue	cosφ	I/le	U/Ue	cosφ
AC-15	10	1	0.3	1	1	0.3	6050	360	≥0.05s
DC-13	1	1	6Pe	1	1	6Pe			≥T0.95

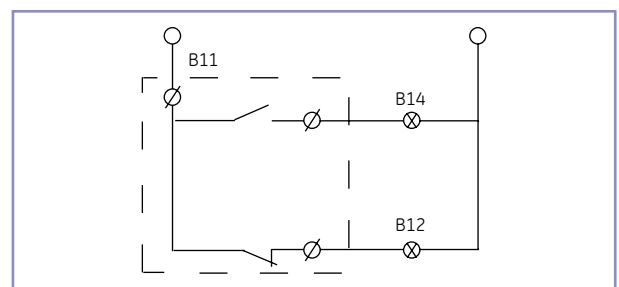
#### 3 - Operating threshold

Category of use	Making			Breaking			Frequency	Operating frequency (times/hour)	Response time
	I/le	U/Ue	cosφ	I/le	U/Ue	cosφ	I/le	U/Ue	cosφ
AC-15	10	1.1	0.3	1.0	1.1	0.3	10	120	≥0.05s
DC-13	1.1	1.1	6Pe	1.1	1.1	6Pe			≥T0.95

### Alarm contact

Alarm contact U <sub>e</sub> =220V, I <sub>th</sub> =3A	
Circuit breaker in "open" and "close" position	
Circuit breaker in "tripped" position	

### Auxiliary contact wiring diagram



When the circuit breaker is closed and opened normally, the contact does not work. The contact changes its normal state only after tripping (or fault trip) occurs, with open state turning into closed, and closed state into open. After the circuit breaker is reset, the contact returns to its original position.

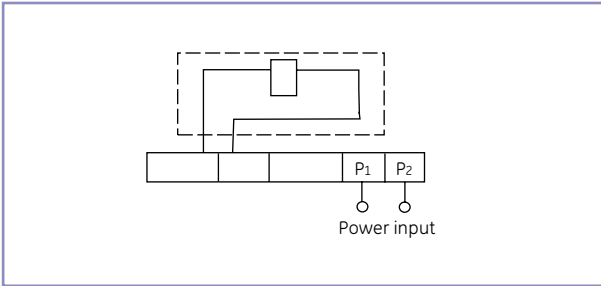
## Under-voltage release

The under-voltage release opens the circuit breaker when supply voltage drops to a value below 35% to 70% to its rated voltage. When the power supply is equal or greater than 85% of the rated voltage, closing of the circuit breaker is allowed.

Control circuit: AC 50/60Hz 230V 400V

Note: the undervoltage must be energized so that the circuit breaker can be reset and closed.

### Wiring diagram



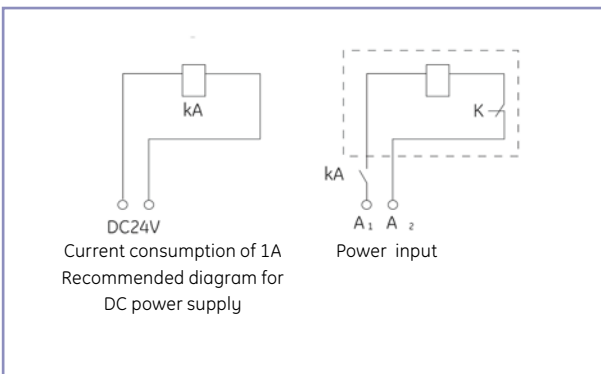
### Characteristics

Breaker type	Current consumption (mA)		Power consumption (W)	
	AC 400V 50/60Hz	AC 230V 50/60Hz	AC 400V 50/60Hz	cosφ
CB125/CE125	9.75	14.25	3.95	3.2275
CB250/CE250	10.88	14.75	4.352	3.392
CB400/CE400	9	11	3.6	2.53
CB630	8.5	11	3.4	2.53
CB800/CE630	5	7.25	2	1.6675

## Shunt release

The shunt release will trip the circuit breaker when the rated control voltage is between 70% and 110%.

### Wiring diagram



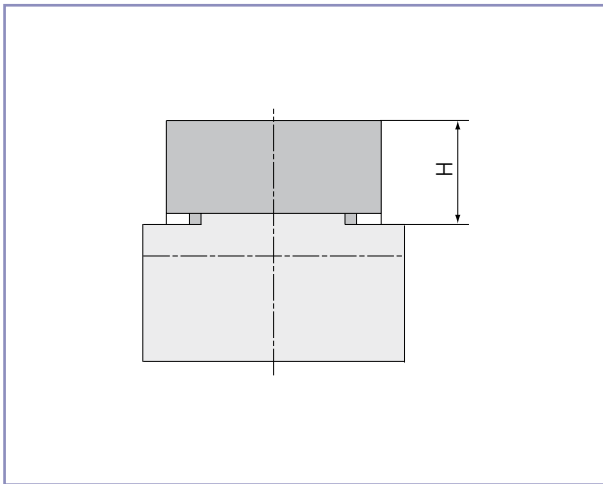
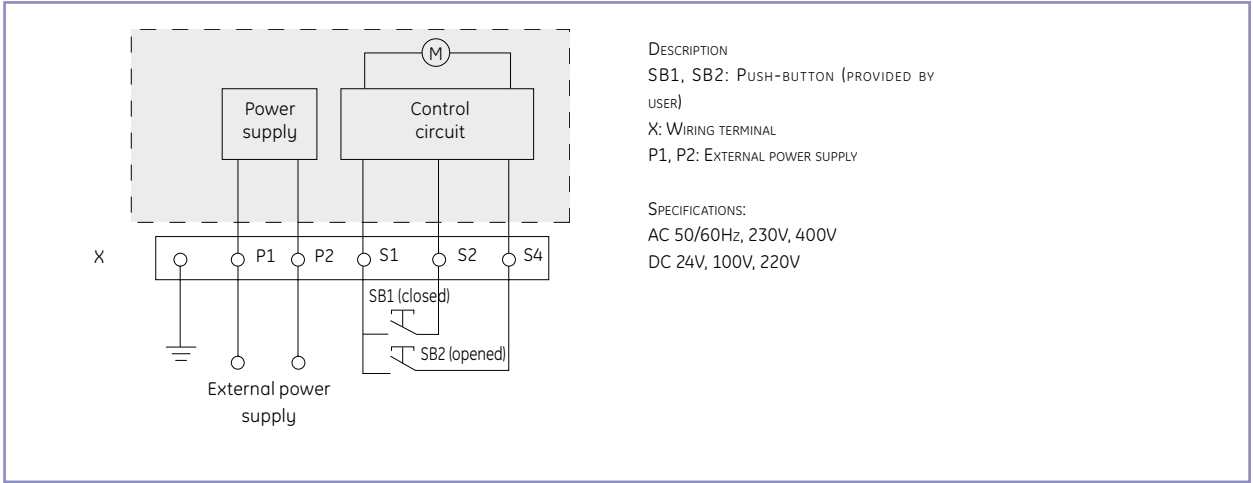
### Characteristics

Breaker type	Current consumption (mA)				Power consumption (W)			
	AC 400V	AC 230V	DC 220V	DC 24V	AC 400V	AC 230V	DC 220V	DC 24V
CB125/CE125	0.288	0.425	0.341	4	96.8	73	90.7	91.2
CB250/CE250	0.313	0.412	0.341	3.87	11.2	68.8	90.7	85.3
CB400/CE400	0.197	0.325	0.4	3.87	67	62.3	94.4	100
CB630	0.199	0.314	0.4	3.87	68	58.2	94.4	100
CB800/CE630	0.538	0.898	1.134	5.22	16.3	153	-	120

## Electrical operators

The wiring diagram of the external accessories of the breaker is displayed in the dotted box.

### Wiring diagram



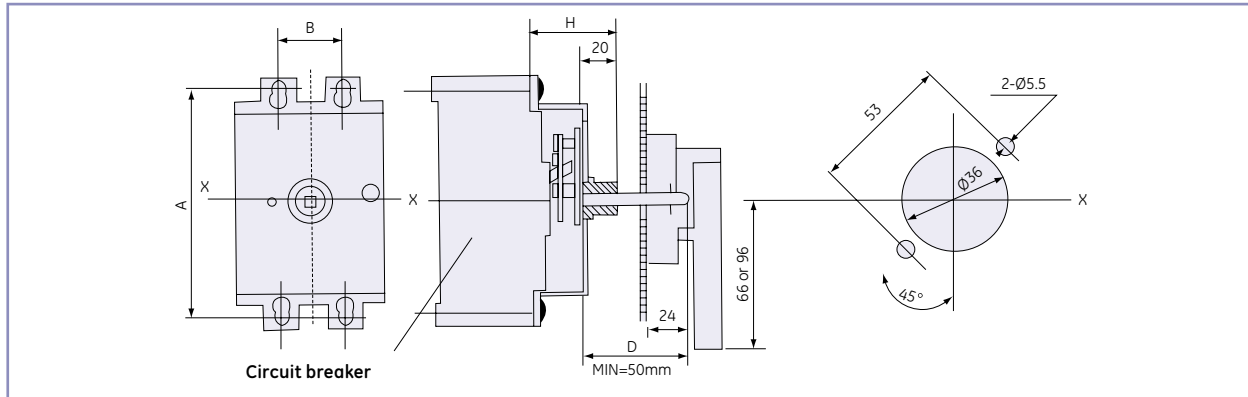
### Characteristics

Breaker type	Operating current (A)	Operating power (W)	Life span	Height of the operator H (mm)
CB125/CE125	≤0.5	14	20000	89.5
CB250/CE250	≤0.5	14	20000	92
CB400/CE400	≤2	35	10000	149
CB630/CE630	≤2	35	10000	147
CB800	≤2	35	5000	151



## Rotary handle - CS1-A

### Dimensions



Note: Handle cover A is round

### Mounting method and external dimension of rotary handle

Rotary handle	Breaker	Dimensions (mm)				Mounting method
		H	A	B		
		Metal		3P	4P	
CS1-125	CB125/CE125	54	104			Vertical
CS1-250	CB250/CE250	55	143			
CS1-400	CB400/CE400	82	194	137	185	
CS1-630	CB630	82	200	171	229	
CS1-800	CB800/CE630	84	243	198	268	

Note: Standard depth is 150mm

### Connections for MCCBs CB / CE

#### Connection of main terminals

Rated Current (A)	10	16	25	32	40	63	80	100	125	160	180	250	315	400
		20			50				140		200		350	
											225			
Cross section of cable (mm <sup>2</sup> )	1.5	2.5	4.0	6.0	10	16	25	35	50	70	95	120	185	240

#### Connection of insulated busbar and cables

Rated Current (A)	Cross section of cable		Dimension of copper bar	
	1.5	2.5	4.0	6.0
	Quantity	Cross section area (mm <sup>2</sup> )	Quantity	Min. dimension (mm <sup>2</sup> )
500	2	150	2	30×5
630	2	185	2	40×5
700, 800	2	240	2	50×5 <sup>1)</sup>

Note 1: Select a suitable connection accessory to the breaker termination and wiring requirement.

Note 2: the copper bar termination to be connected with the proper spreader busbar.

### Operation and maintenance

The features and accessories of the circuit breaker are set by the manufacturer. Do not adjust them during operation. The breakers are designed to isolate, switch and protect low-voltage distribution circuits. The trip units have been designed with the trip unit ratings indicated in Amperes. To prevent unauthorized tampering of the breaker setting, each trip unit comes with a transparent, tamper-free cover. The circuit breakers are calibrated in the factory and no further calibration is required. The time current curves of the breakers are published in this catalogue.



**Power connections and installation CB**

- C.2 CB125 (S, N)
- C.3 CB250 (S, N)
- C.4 CB400 (S, N, H)
- C5 CB630 (S, N, H)
- C.6 CB800 (N, H)

**Power connections and installation CE**

- C.7 CE
- C.8 Installation with plug-in

**Applications**

- C.12 Characteristics and curves

Introduction and specifications

A

Order codes

B

Dimensions and applications

C

Numerical index

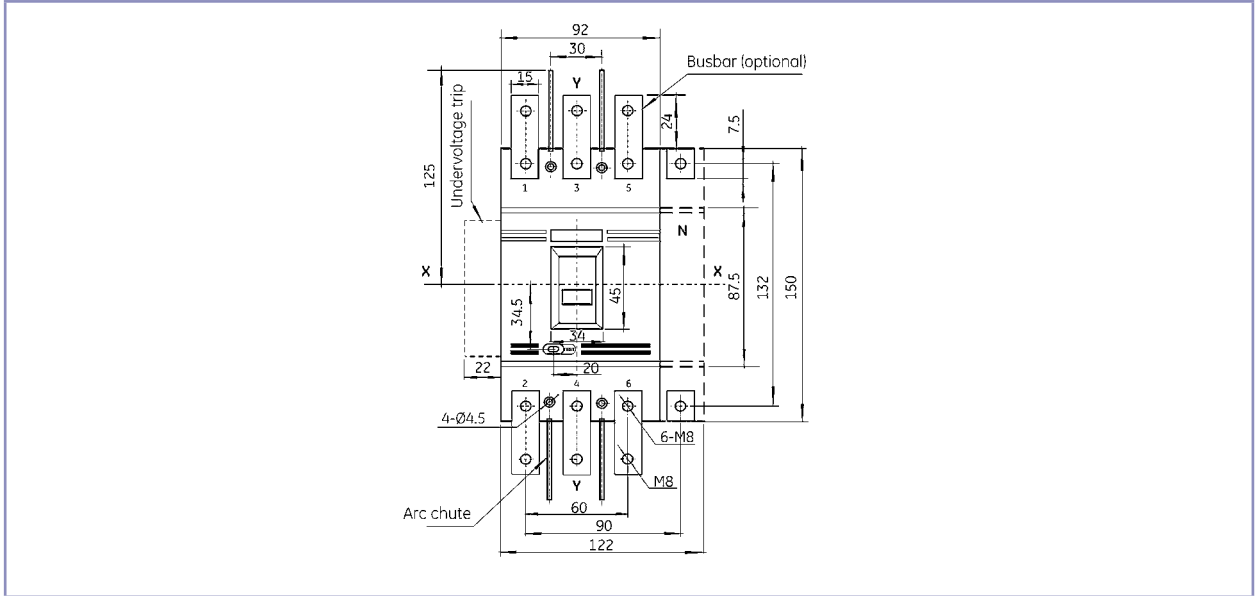
X



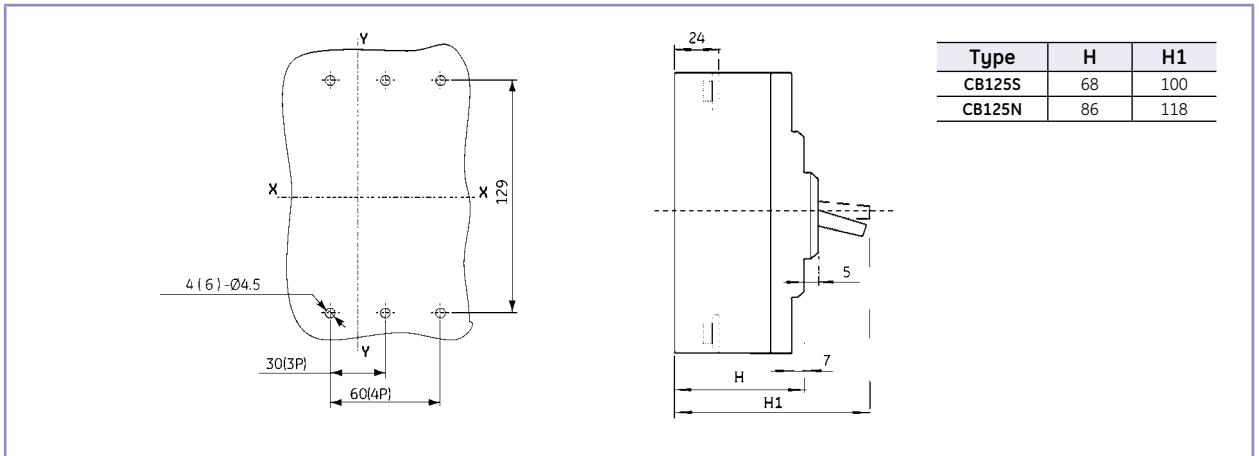
## Dimensions

### Power connections and installation - CB125 (S, N)

#### Front connection (3P, 4P)

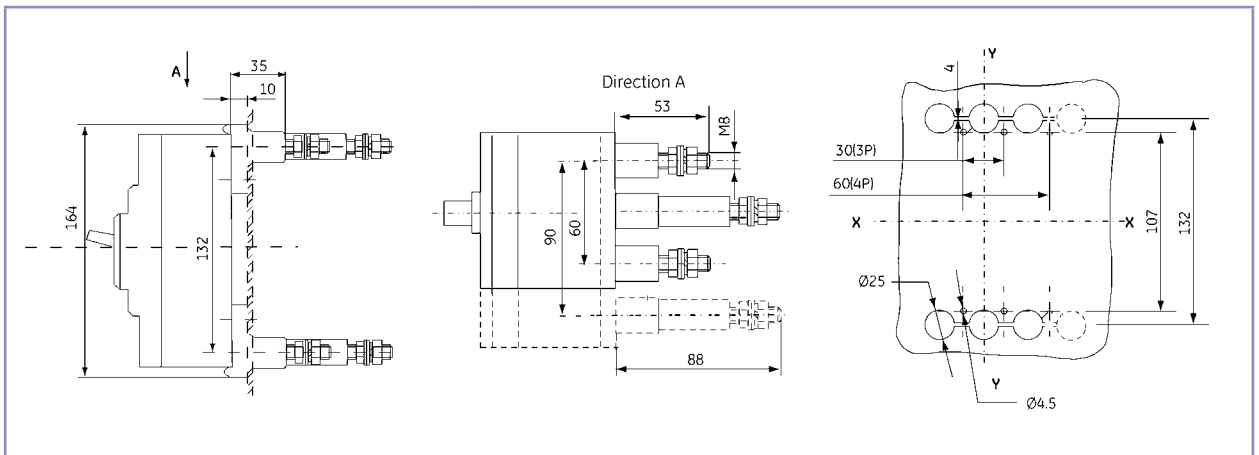


#### Mounting hole dimensions for front connection



#### Rear connection (3P, 4P)

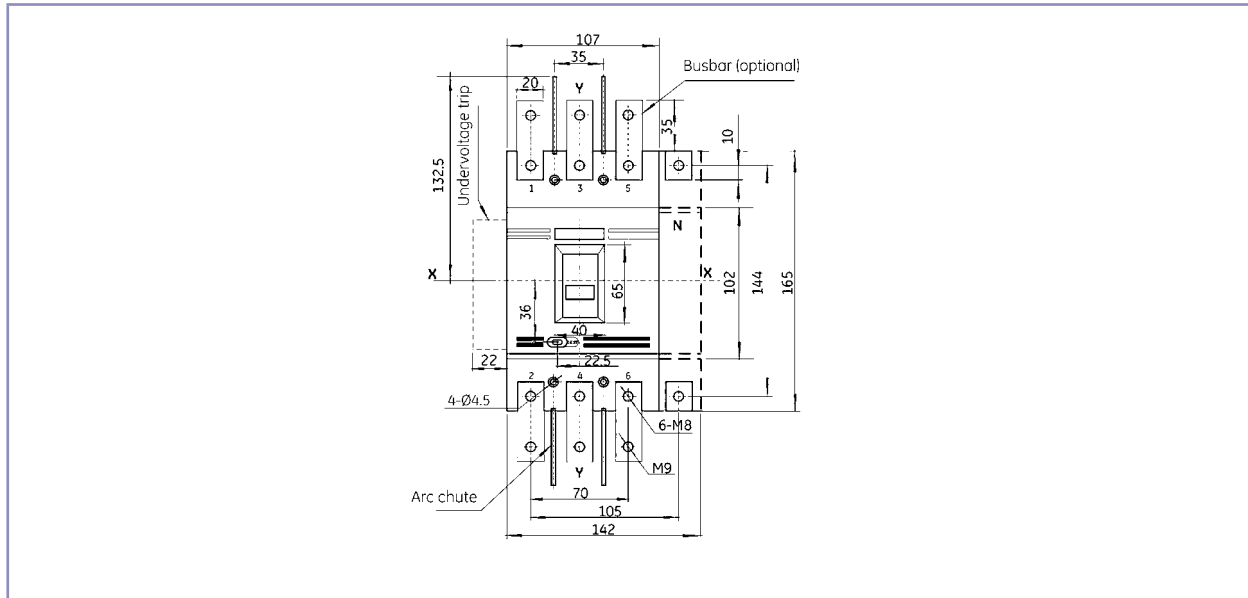
#### Mounting hole dimensions for rear connection



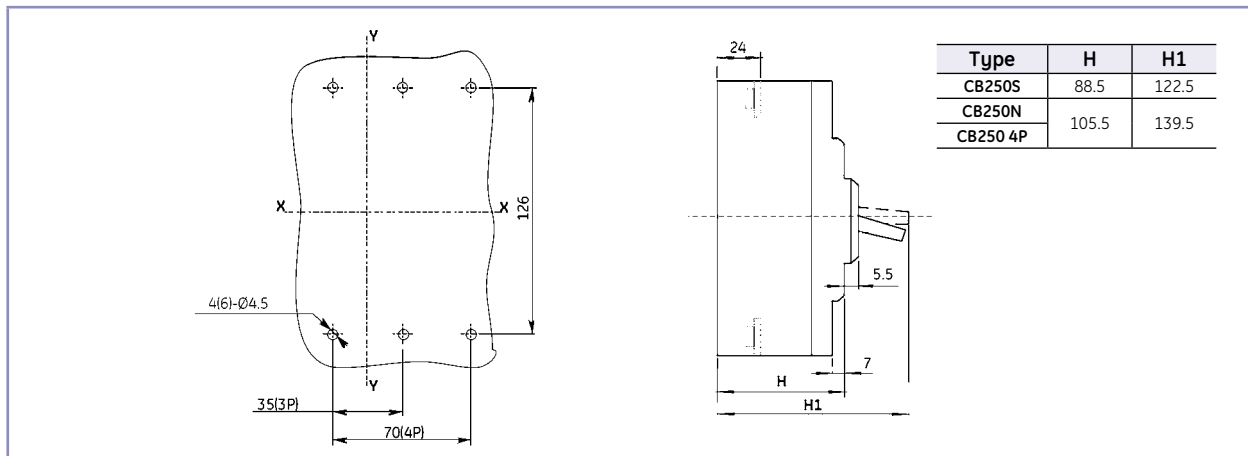
## Dimensions

### Power connections and installation - CB250 (S, N)

#### Front connection (3P, 4P)

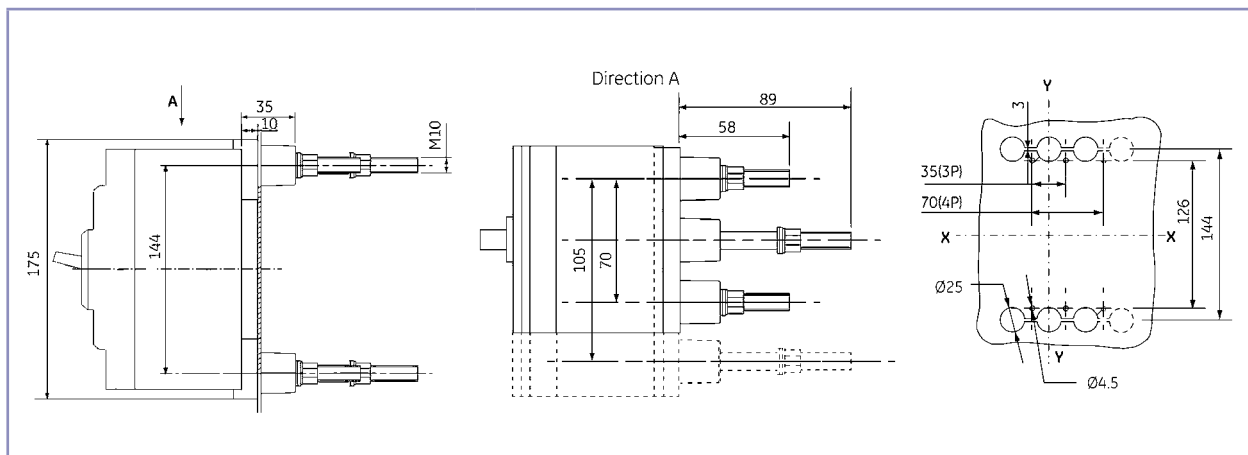


#### Mounting hole dimensions for front connection



#### Rear connection (3P, 4P)

#### Mounting hole dimensions for rear connection



# Record\* C

Power connections and installation

A

B

C

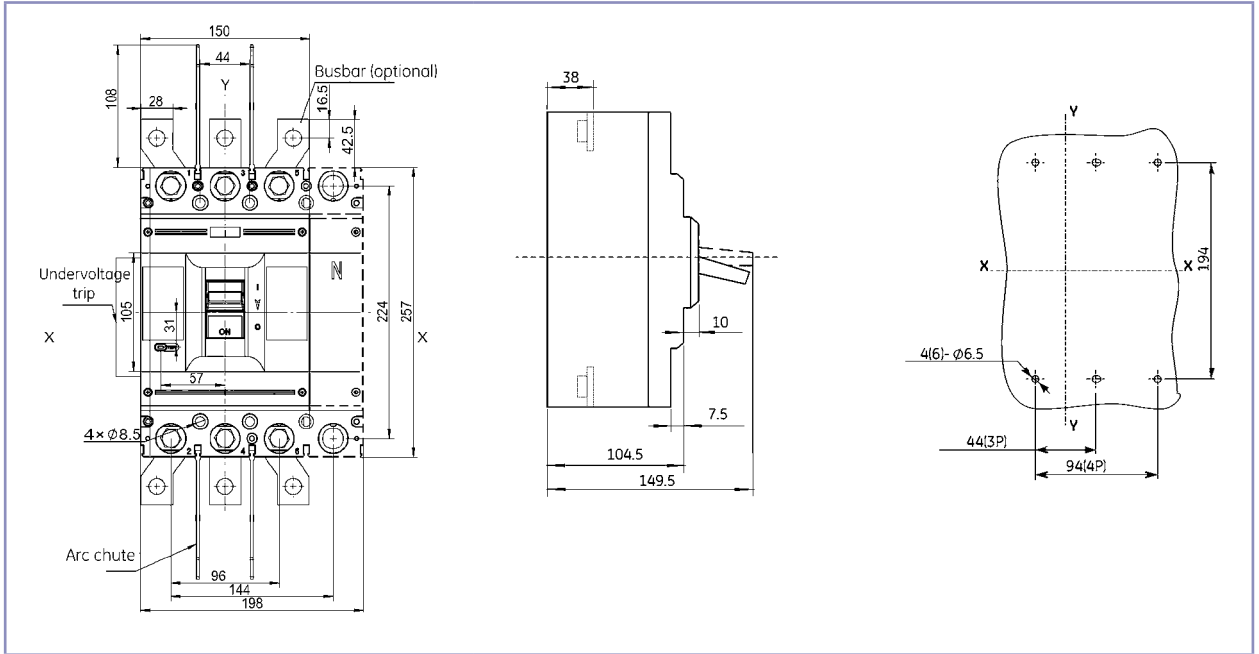
X

## Dimensions

### Power connections and installation - CB400 (S, N, H)

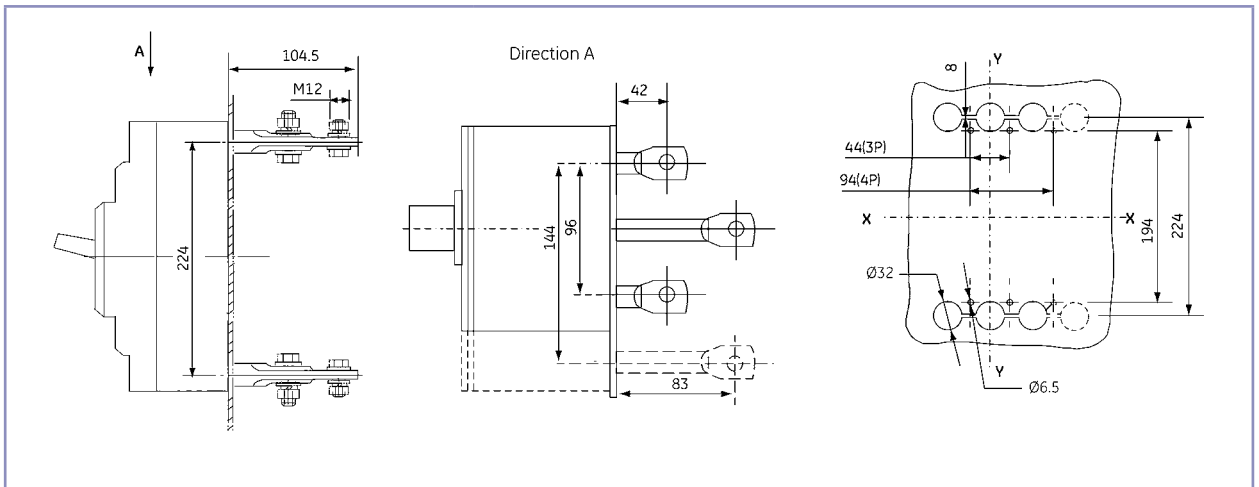
#### Front connection (3P, 4P)

#### Mounting hole dimensions for front connection



#### Rear connection (3P, 4P)

#### Mounting hole dimensions for rear connection

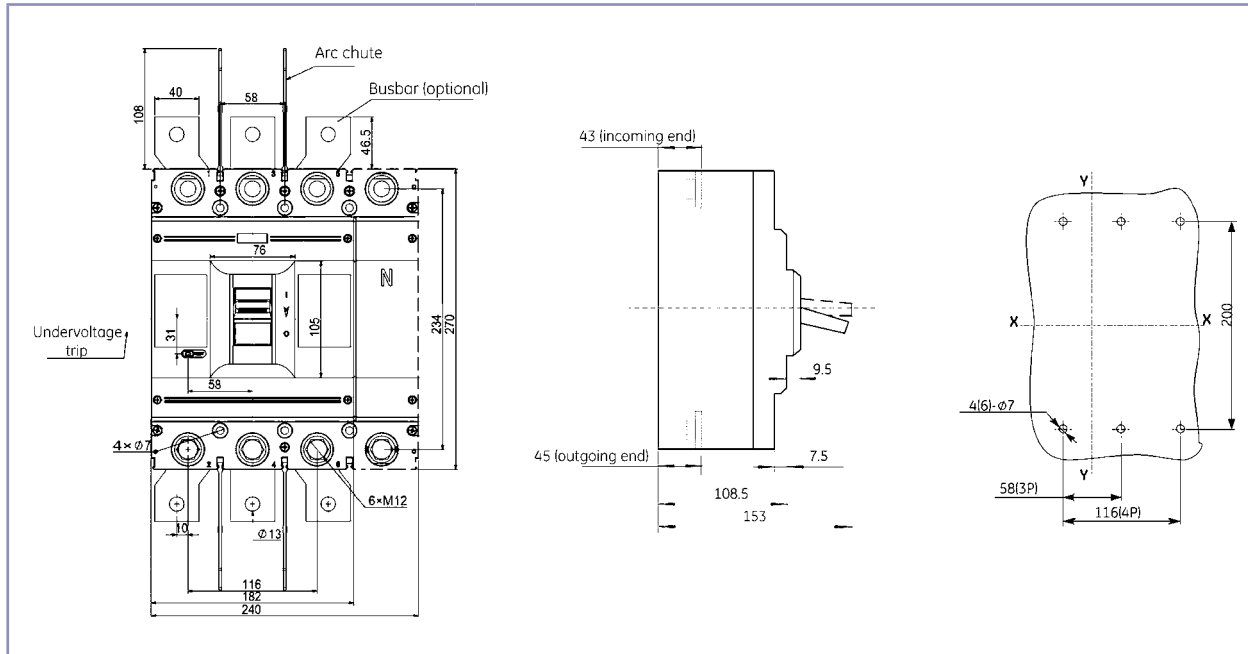


## Dimensions

### Power connections and installation - CB630 (S, N, H)

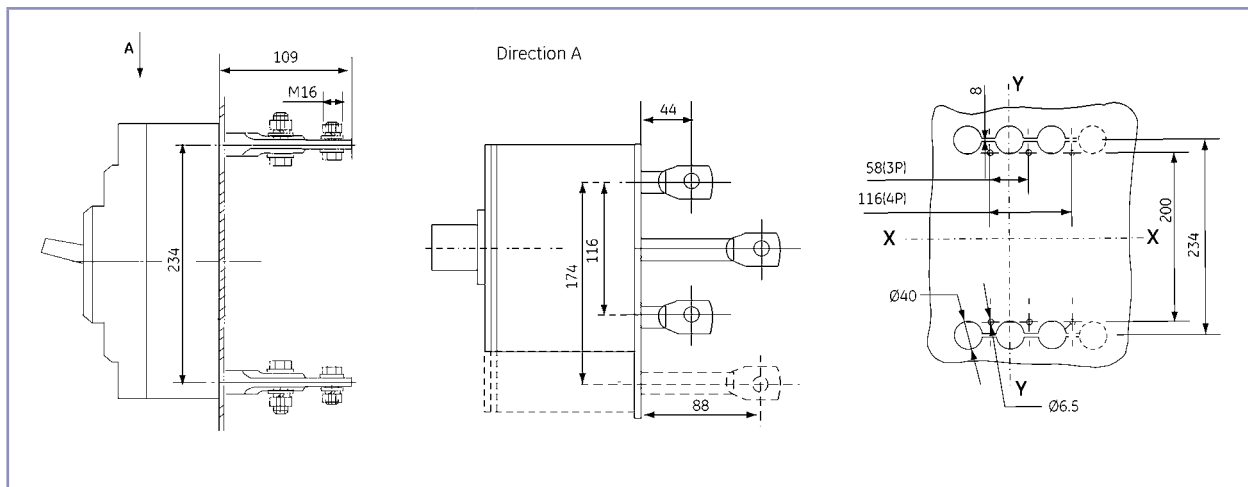
#### Front connection (3P, 4P)

#### Mounting hole dimensions for front connection



#### Rear connection (3P, 4P)

#### Mounting hole dimensions for rear connection

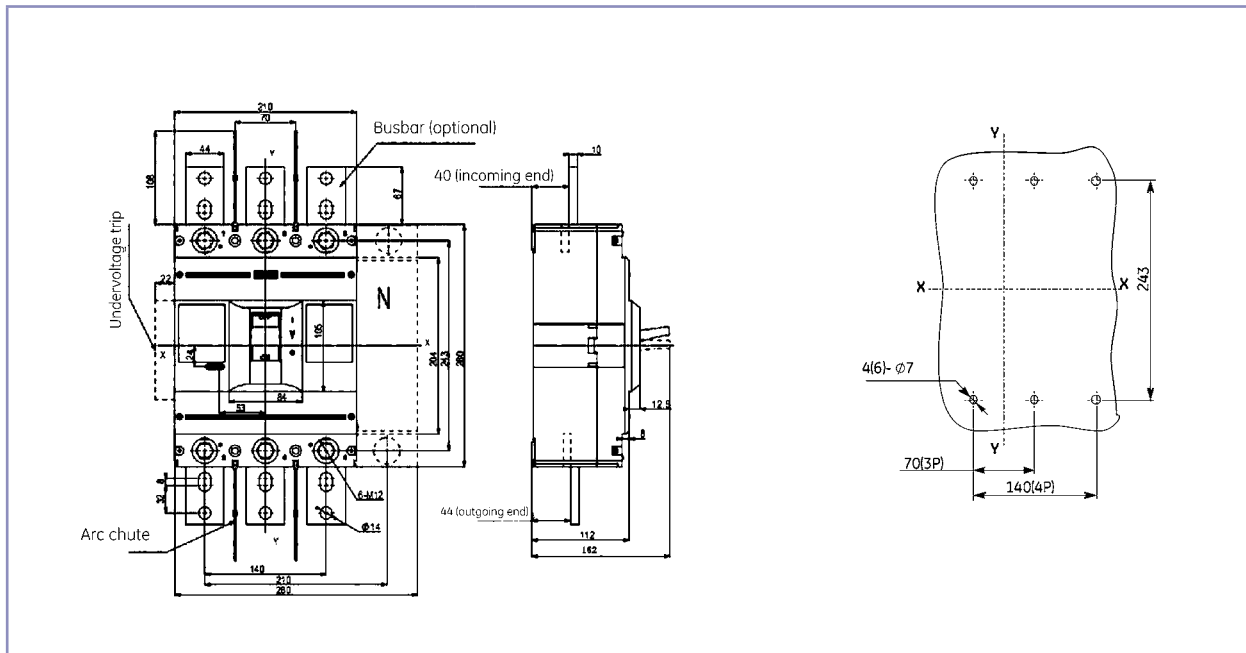


### Dimensions

#### Power connections and installation - CB800 (N, H)

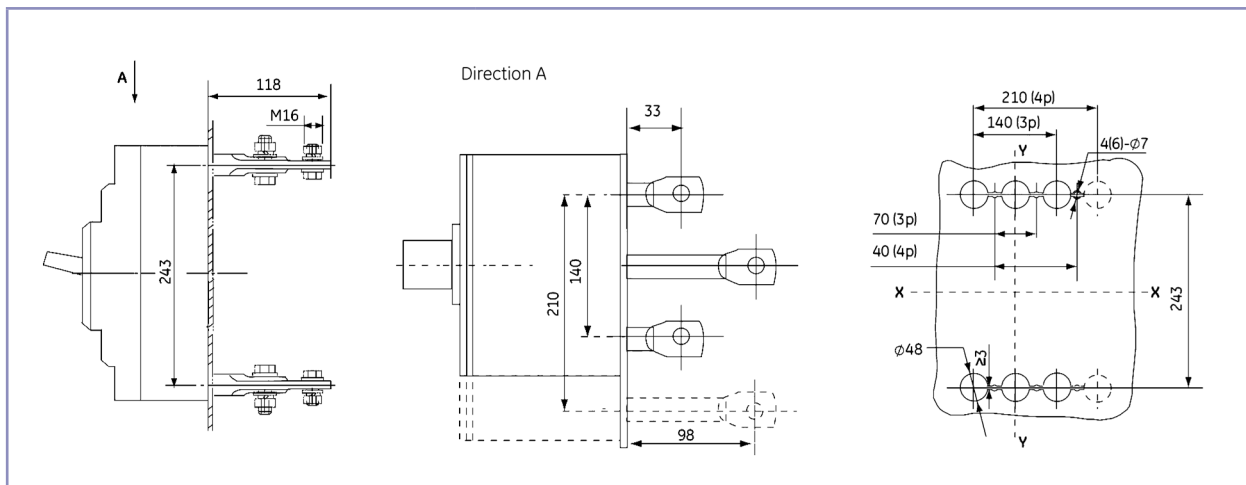
#### Front connection (3P, 4P)

#### Mounting hole dimensions for front connection



#### Rear connection (3P, 4P)

#### Mounting hole dimensions for rear connection

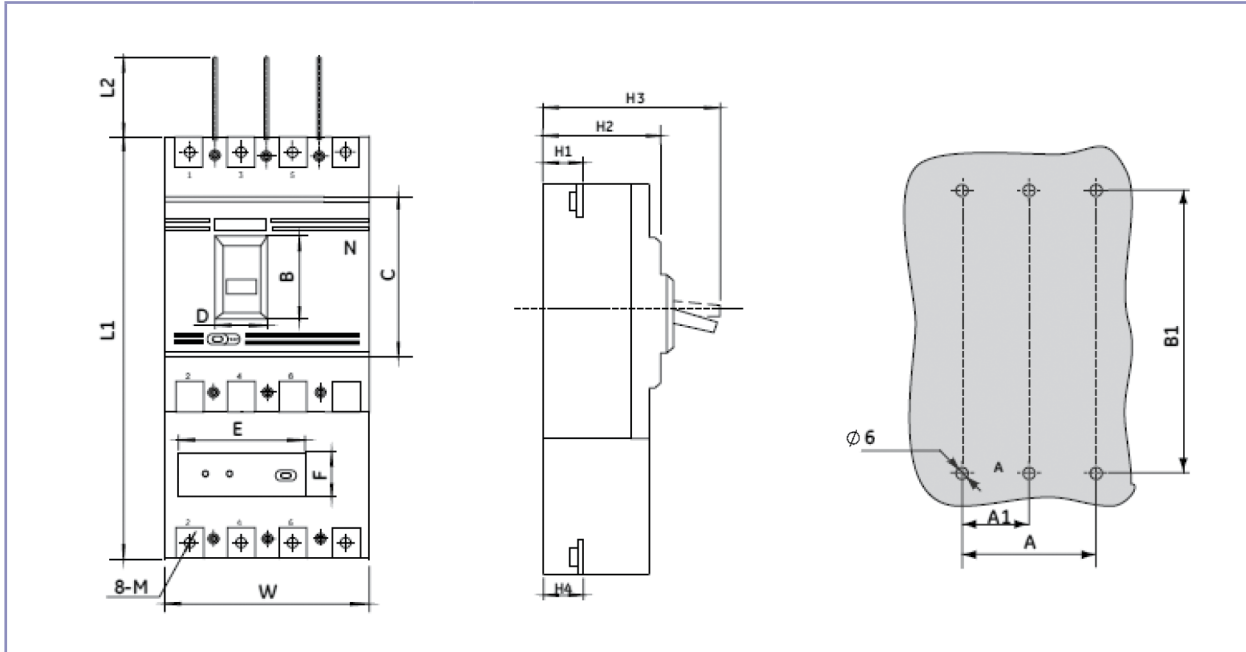


## Dimensions

### Power connections and installation -CE

#### Front connection (3P, 4P)

#### Mounting hole dimensions for front connection



#### Overall dimension and mounting dimension

Breaker type	Manual mounting dimension (mm)									Mounting method			
	L1	W		L2	M	H1	H2	H3	H4	A	B1	Ø	A1
CE125	225	92	122	50	8	24	87	118	-	60	204	4.5	30
CE250	252	107	142	65	8	24	105.5	139.5	-	70	213	4.5	35
CE400	257	150	198	108	10	38	104.5	149.5	-	94	194	6.5	47
CE630	280	198	280	108	12	40	112	159	44	140	243	7	70

#### Overall dimension of cover

Breaker type	B	C	D	E	F
CE125	45	87.5	34	78	23
CE250	45	102	40	92.5	25
CE400	105	174	70	124	21
CE630	105	204	84	182	22

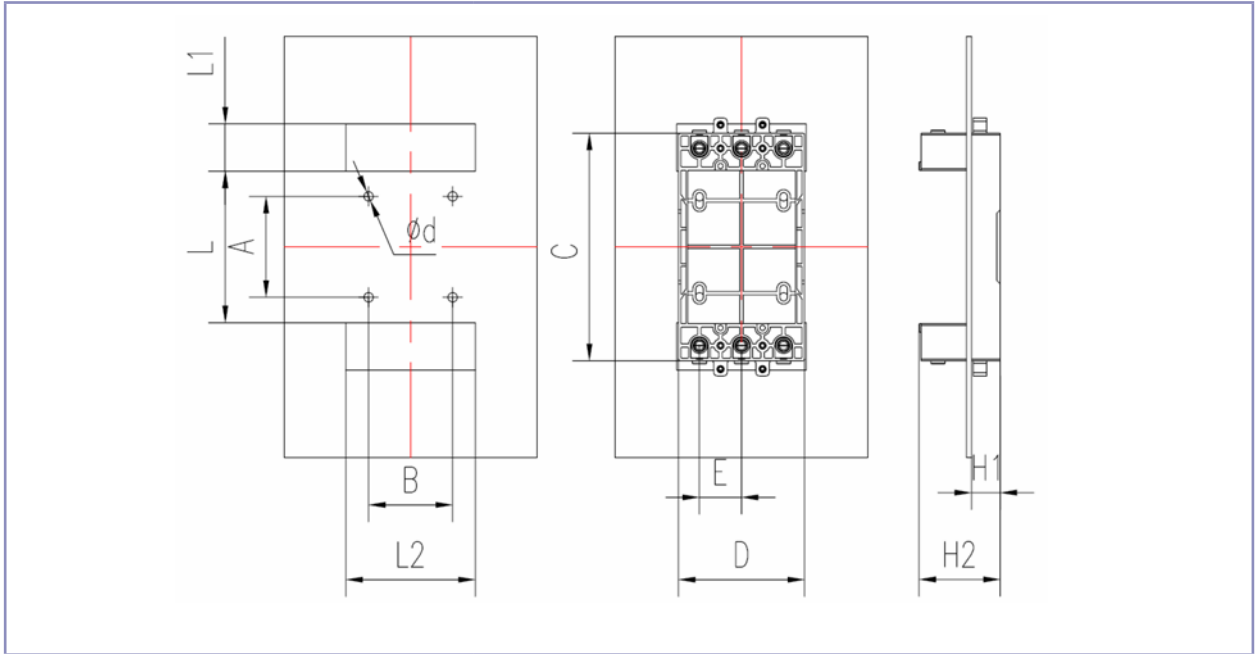


# Record\* C

## Dimensions

### Installation with plug-in

#### Through back plate



Breaker type	A	B	L	L1	L2	d	C	D	E	H1	H2
CB125	65	60	90	41	94	6.5	160	90	30	18	56.2
CB250	74	70	100	45	110	6.5	179	105	35	20	73.2
CB400/CE400	140	96	178	65	150	7	274	148	48	45	85
CB630	140	116	178	78	177	7	300	232	58	44	120
CB800/CE630	143	140	181	82	213	7	311	210	70	44	125

Note: For 4 Pole breaker, dimension of "E" is added to "B", L2, and D.

A

B

C

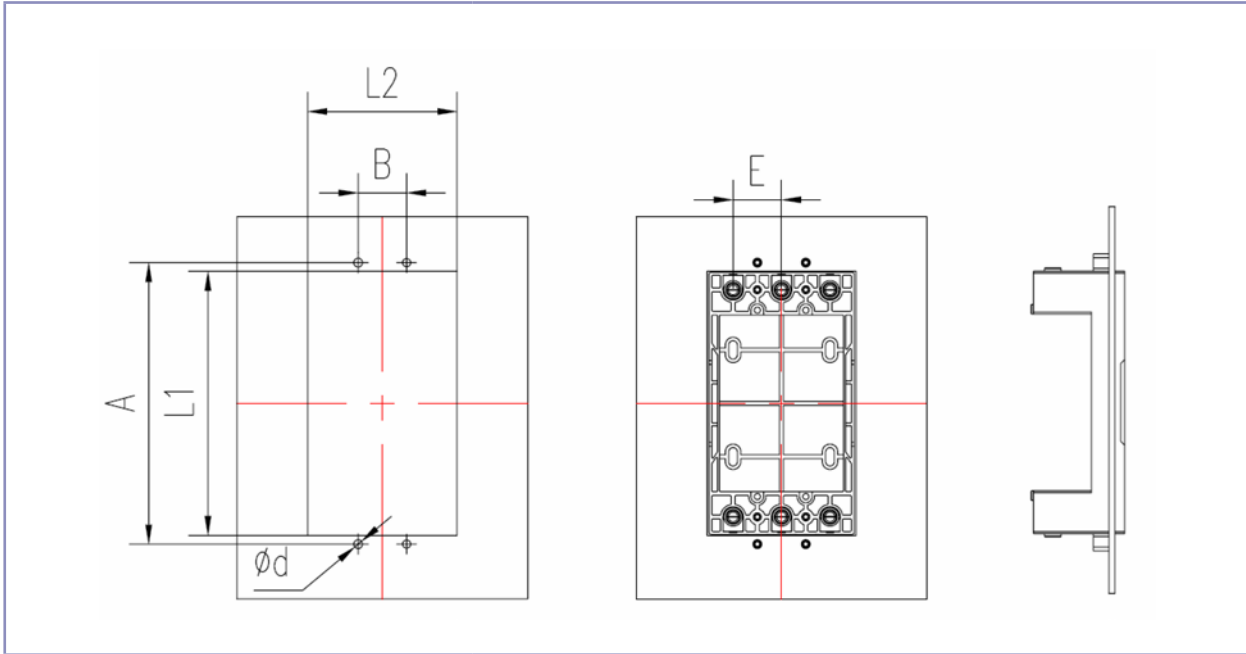
X



## Dimensions

### Installation with plug-in

#### Through panel



Breaker type	A	B	L1	L2	d	E
CB125	170	30	161	92	5	30
CB250	191	35	180	107	5	35
CB400/CE400	290	48	276	150	6	48
CB630	316	58	302	176	6	58
CB800/CE630	327	70	313	212	6	70

Note: For 4 Pole breakers

1. Breaker frame 250A and below, dimension of E is added to B, L2

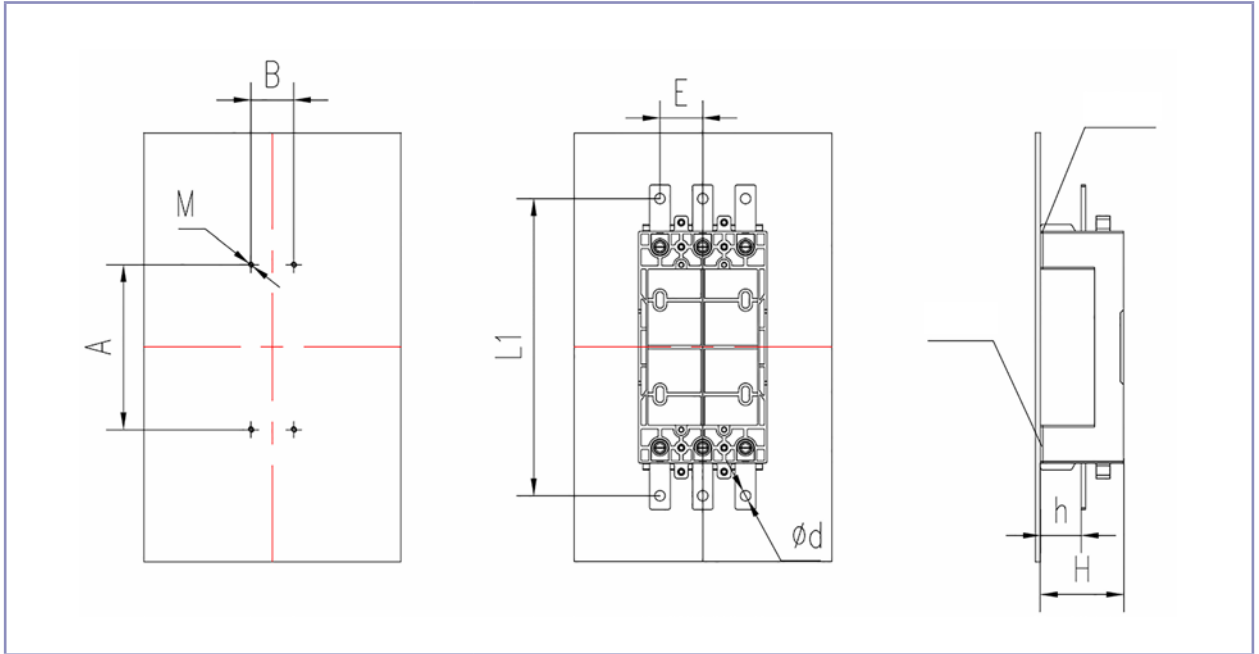
2. Breaker frame 400A and above, dimension of E is added. Dimension of B remain the same.

# Record\* C

## Dimensions

### Installation with plug-in

#### On back plate



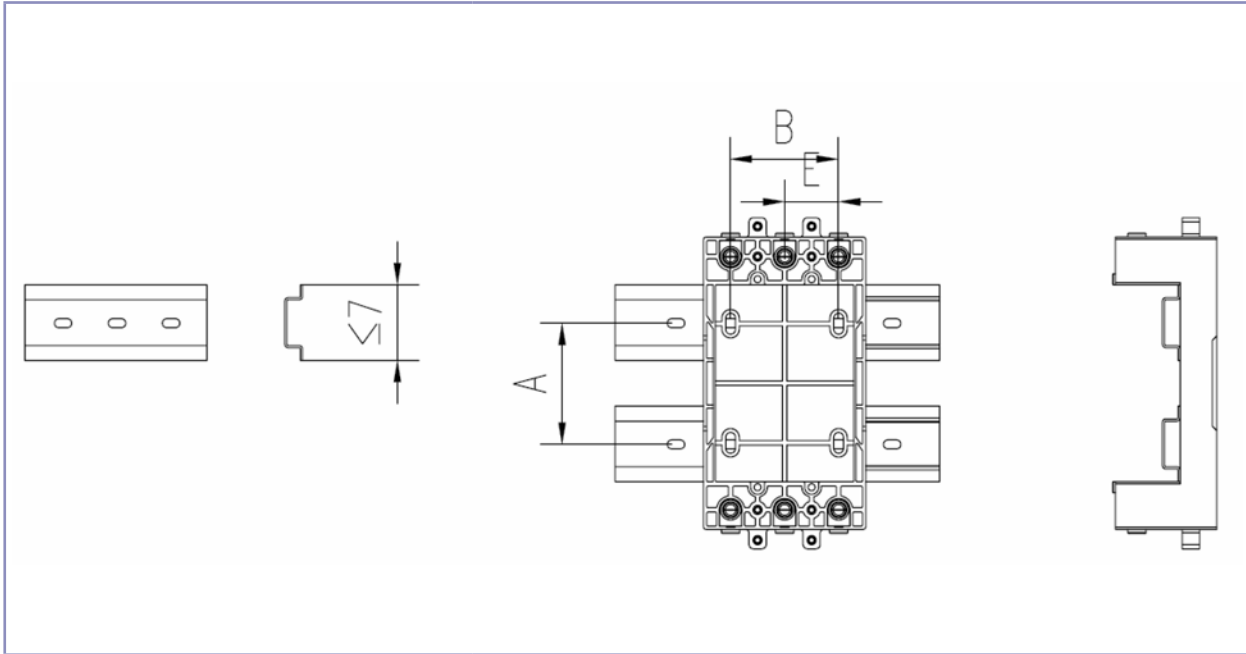
Breaker type	A	B	L1	E	d	M	H	h
CB125	110	30	198	30	6.5	M4	57	28
CB250	150	35	223	35	8.5	M4	74	32
CB400/CE400	244	48	326	48	10.5	M5	85	36
CB630	264	58	352	58	12.5	M6	120	64
CB800/CE630	283	70	363	70	12.5	M6	125	67



## Dimensions

### Installation with plug-in

#### On DIN-rail



Breaker type	A	B	E
CB125	65	60	30
CB250	74	70	35
CB400/CE400	140	96	48
CB630	140	116	58
CB800/CE630	143	140	70

Note: For 4 Pole breaker "E" is additional dimension to "B".

## Applications CB

## Performance

Rated current (A)	Thermal release (ambient temperature +40°C)		Tripping current of magnetic release (A)	Notes
	1.05In (cold state) non-tripping time (h)	1.3In (hot state) tripping time (h)		
10≤In≤63	1	1	10In×(1±20%)*	Line thermal magnetic protection for the circuit
63<In≤800	2	2	10In×(1±20%)	
10≤In≤800	1.0In (cold state) non-tripping time (h)	1.2In (hot state) tripping time (h)	12In×(1±20%)	Provides protection for the motor
	2	2		

## Heat dissipation

Breaker type	Max. rated current (A)	Heat dissipation (W) - 3P		
		Front and rear connection	Plug-in front connection	Plug-in rear connection
CB125 (S, N) - (16-25A)	25	40	42	45
CB125 (S, N) - (32-100A)	100	35	37	40
CB125 (S, N) - (125A)	125	39	42	43
CB250 (S, N) - (125-225A)	225	62	66	70
CB250 (S, N) - (250A)	250	67	73	73
CB400 (S, N, H) - (225-400A)	400	115	120	125
CB630 (S, N, H) - (400-630A)	630	187	-	200
CB800 (N, H) - (630-800A)	800	262	-	-

## Derating factor

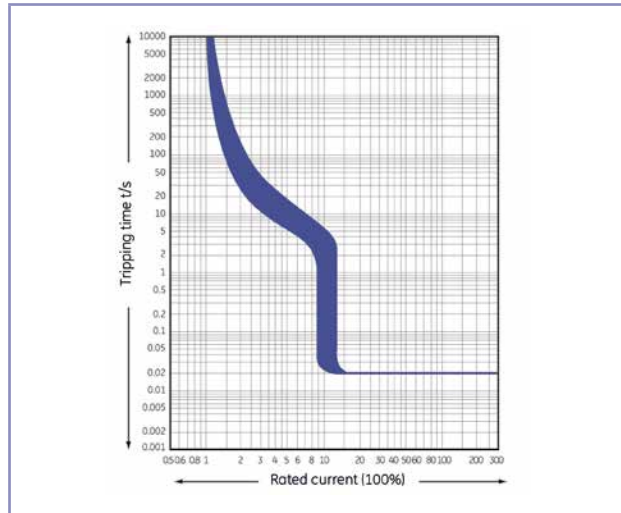
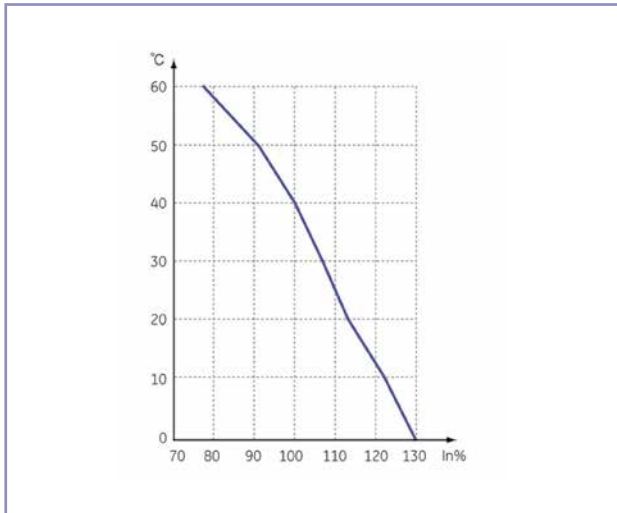
Breaker type	Ambient temperature				
	+40°C	+45°C	+50°C	+55°C	+60°C
CB125	1	0.96	0.91	0.85	0.78
CB250	1	0.94	0.94	0.9	0.86
CB400	1	0.95	0.89	0.82	0.75
CB630	1	0.94	0.88	0.82	0.76
CB800	1	0.94	0.87	0.8	0.72

Note: The derating factors above are measured under the rated current of the breaker frame.

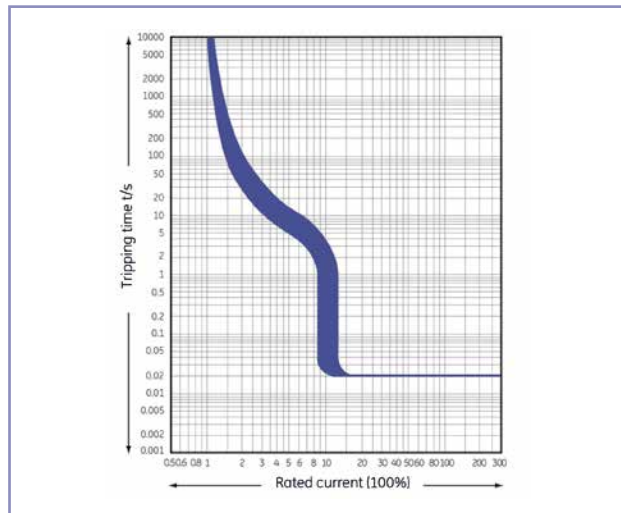
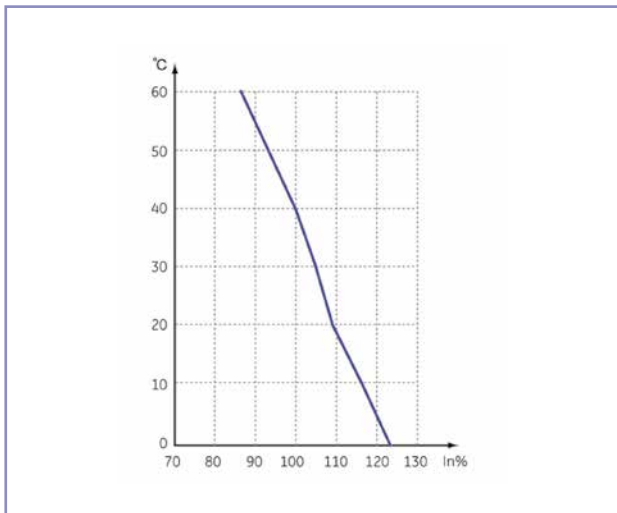
## Applications

### Current – temperature characteristic - time/current characteristic

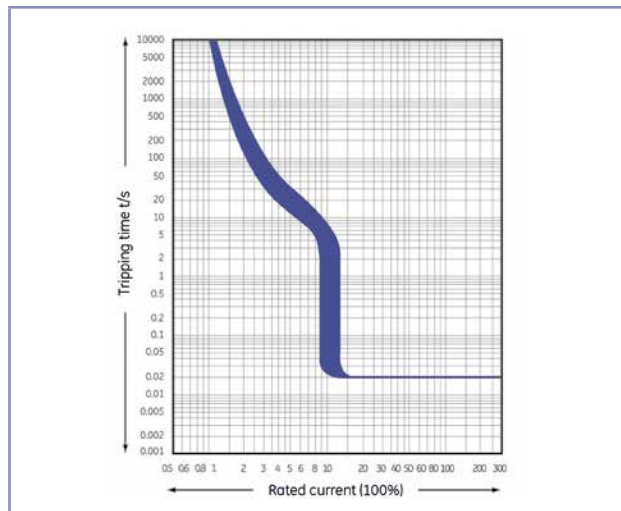
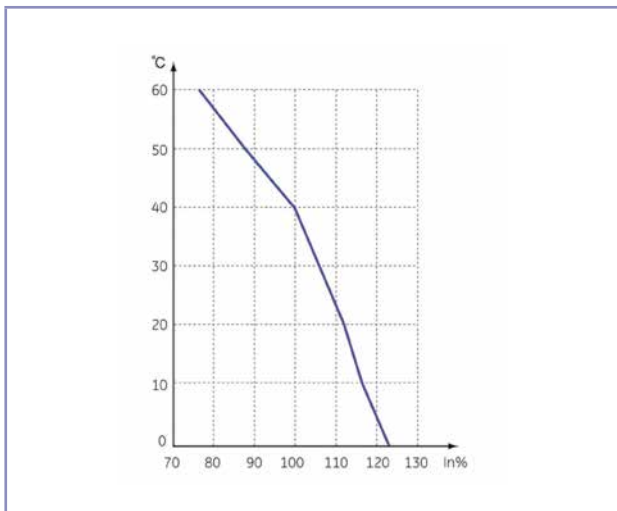
#### CB125 current – temperature characteristic    CB125 S/N time/current characteristic curve



#### CB250 current – temperature characteristic    CB250 S/N time/current characteristic curve



#### CB400 current – temperature characteristic    CB400 S/N/H time/current characteristic curve

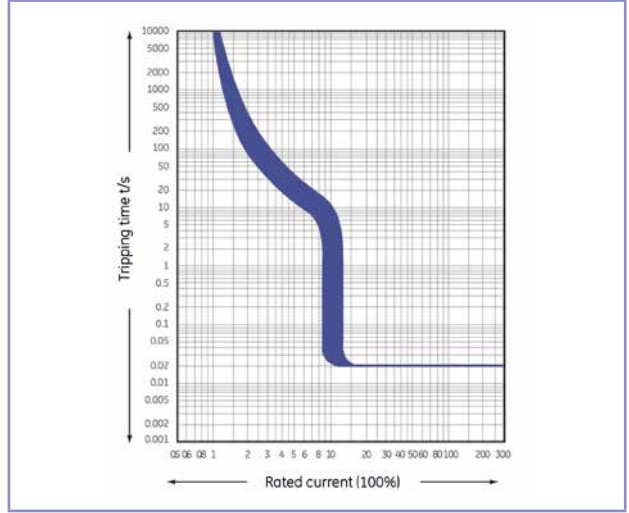
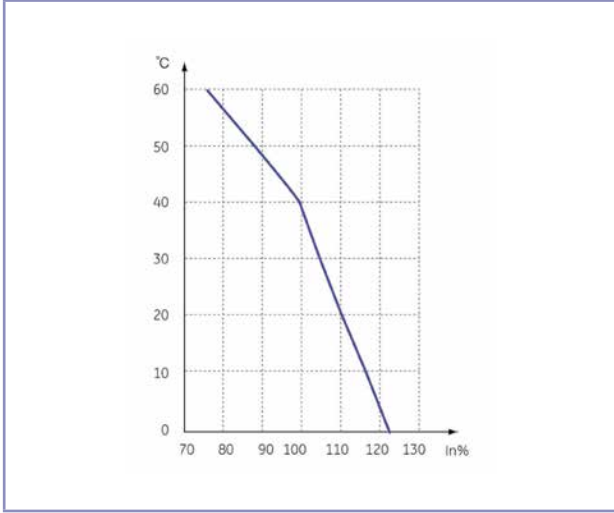


# Record\* C

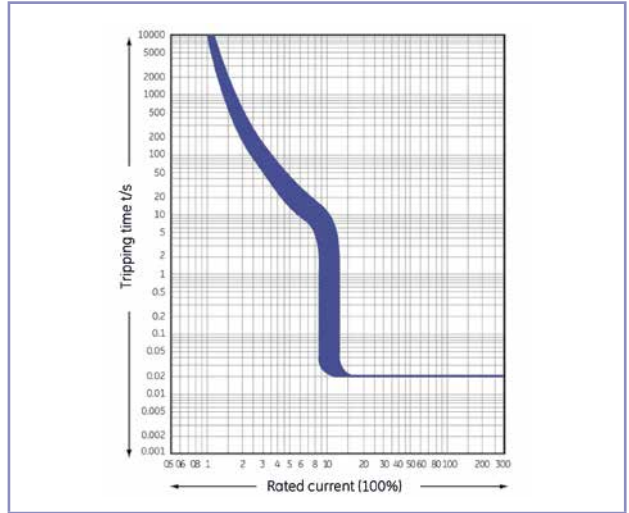
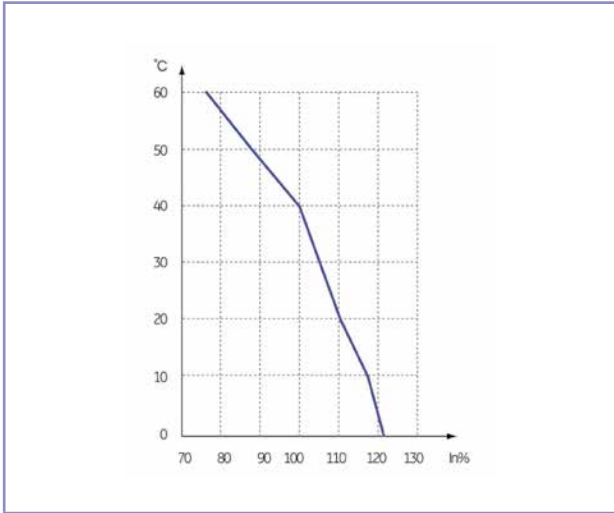
## Applications

**CB - Current - temperature characteristic - time/current characteristic**

**CB630 current - temperature characteristic    CB630 S/N/H time/current characteristic curve**



**CB800 current - temperature characteristic    CB800 N/H time/current characteristic curve**



MCCBs - CB Series

A

B

C

X



## Applications CE

### Operating performance of trip

Rated current (A)	Thermal trip (ambient temperature +40°C)		Operating current of electromagnetic trip (A)	Remarks
	1.05I <sub>n</sub> (cold state) non-operating time (h)	1.3I <sub>n</sub> (hot state) operating time (h)		
10 ≤ I <sub>n</sub> ≤ 63	1	1	10I <sub>n</sub> × (1 ± 20%)	Power distribution type
63 < I <sub>n</sub> ≤ 800	2	2	10I <sub>n</sub> × (1 ± 20%)	
16 ≤ I <sub>n</sub> ≤ 800	1.0I <sub>n</sub> (cold state) non-operating time (h)	1.2I <sub>n</sub> (hot state) operating time (h)	12I <sub>n</sub> × (1 ± 20%)	Motor protection type
	2	2		

### Reference table of power loss

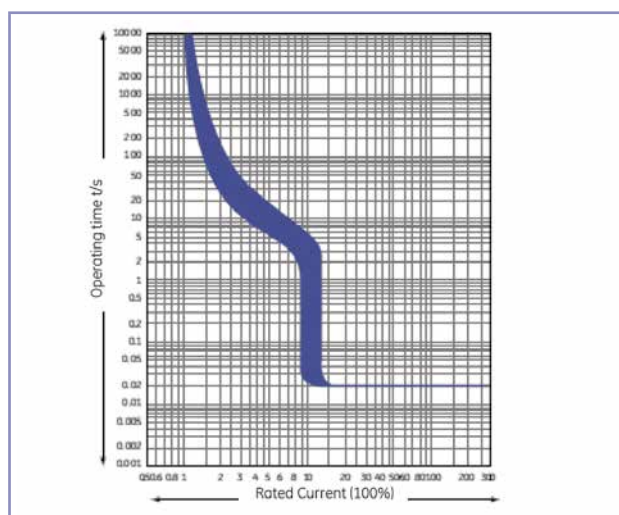
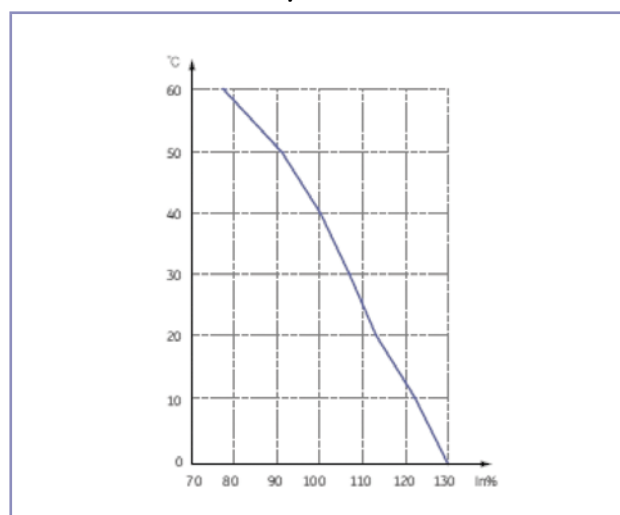
Breaker type	Making current (A)	Total power loss of the four poles (W)	
		Front and rear connection	
CE125 Direct heating type (16-25A)	25		40
CE125 Indirect heating type (32-125A)	125		39
CE250	250		67
CE400	400		115
CE630	630		187

### Derating factor of change of ambient temperature

Breaker type	Temperature	Derating factor (I <sub>n</sub> )				
		+40°C	+45°C	+50°C	+55°C	+60°C
CE125		1	0.96	0.91	0.85	0.78
CE250		1	0.94	0.94	0.90	0.86
CE400		1	0.95	0.89	0.82	0.75
CE630		1	0.94	0.88	0.82	0.76

### Characteristic curve of circuit breaker - CE

#### CE125 current - temperature characteristic CE125 time/current characteristic curve

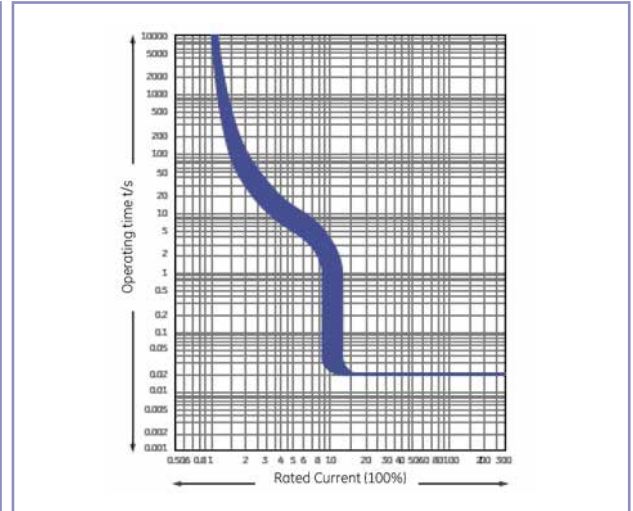
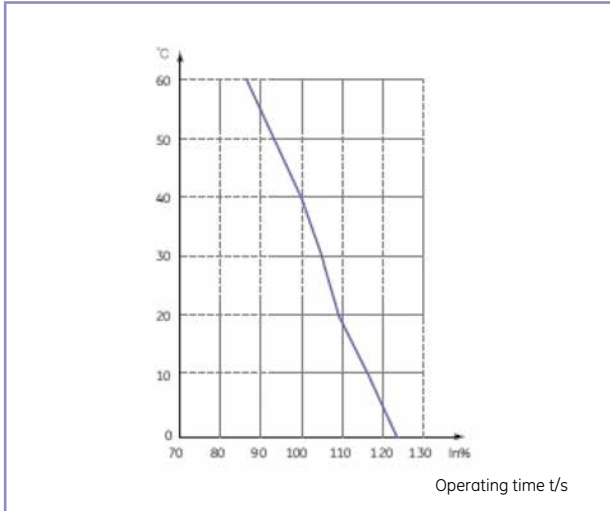




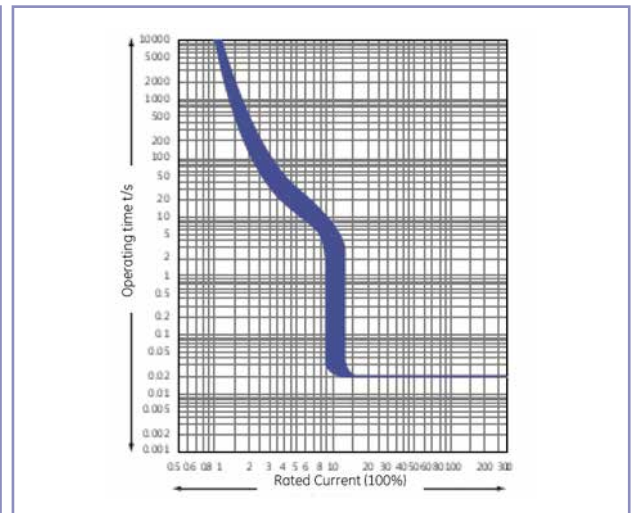
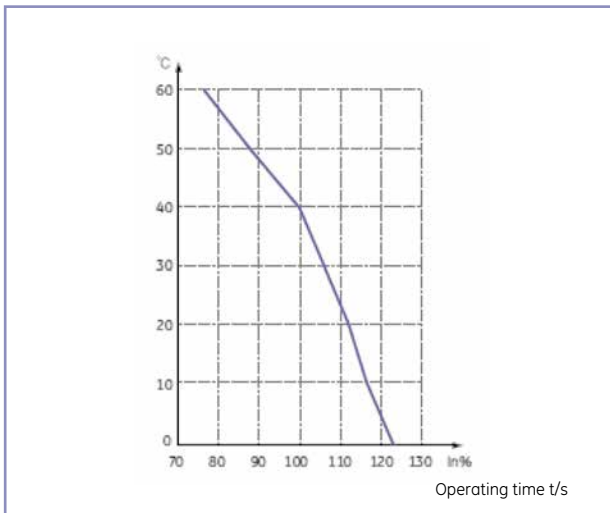
Applications

**CE - Current - temperature characteristic - time/current characteristic**

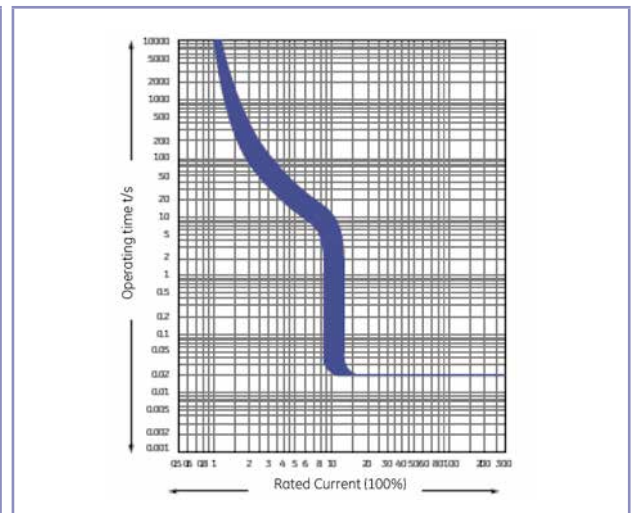
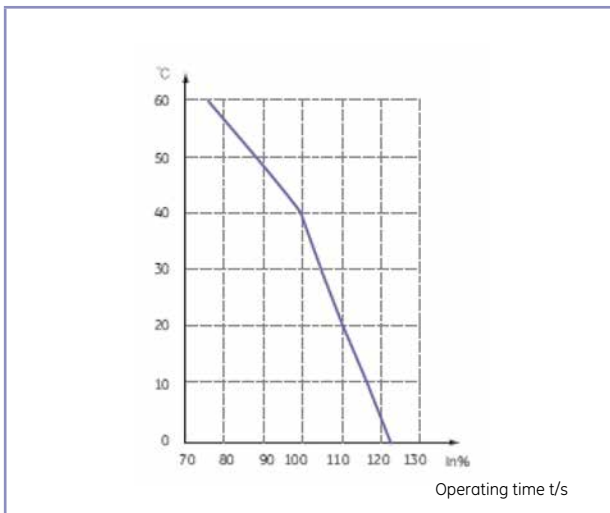
**CE250 current - temperature characteristic CE250 time/current characteristic curve**



**CE400 current - temperature characteristic CE400 time/current characteristic curve**



**CE630 current - temperature characteristic CE630 time/current characteristic curve**



MCCBs - leakage type

A

B

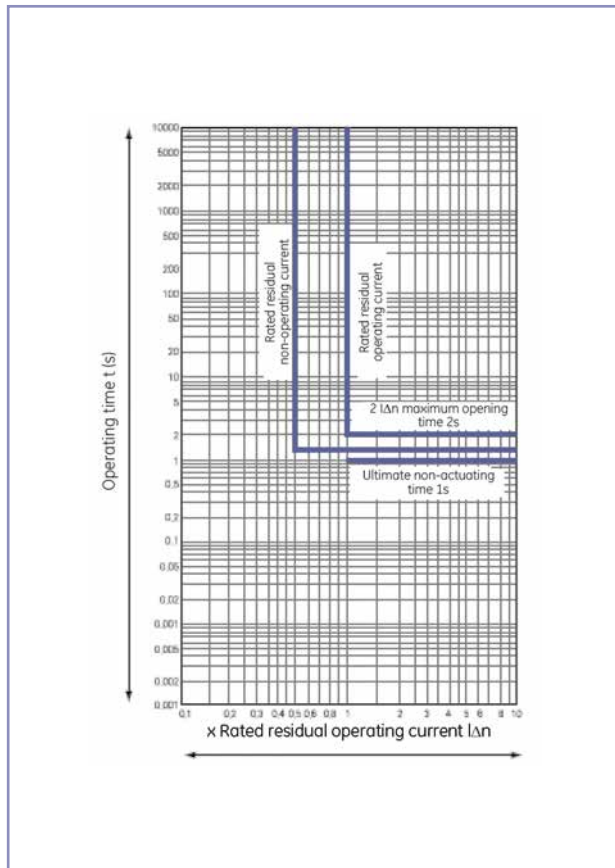
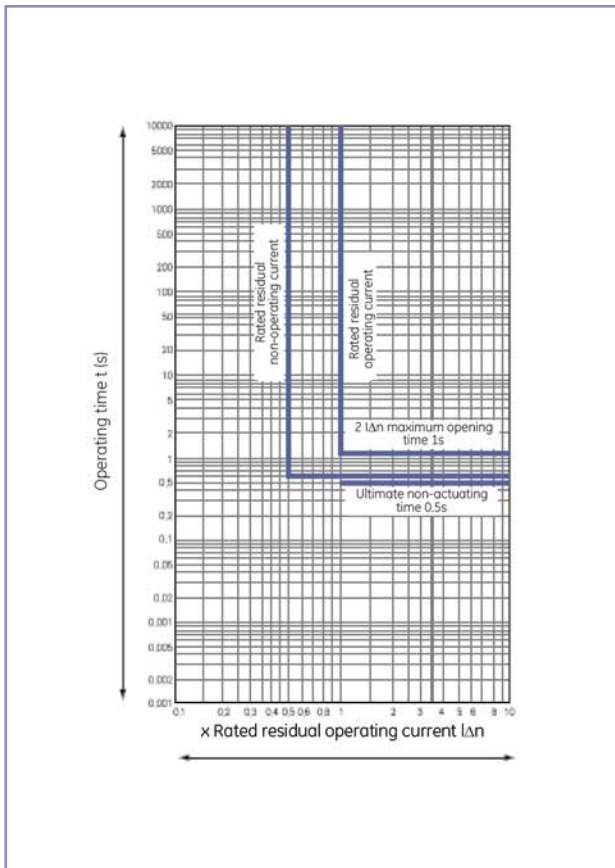
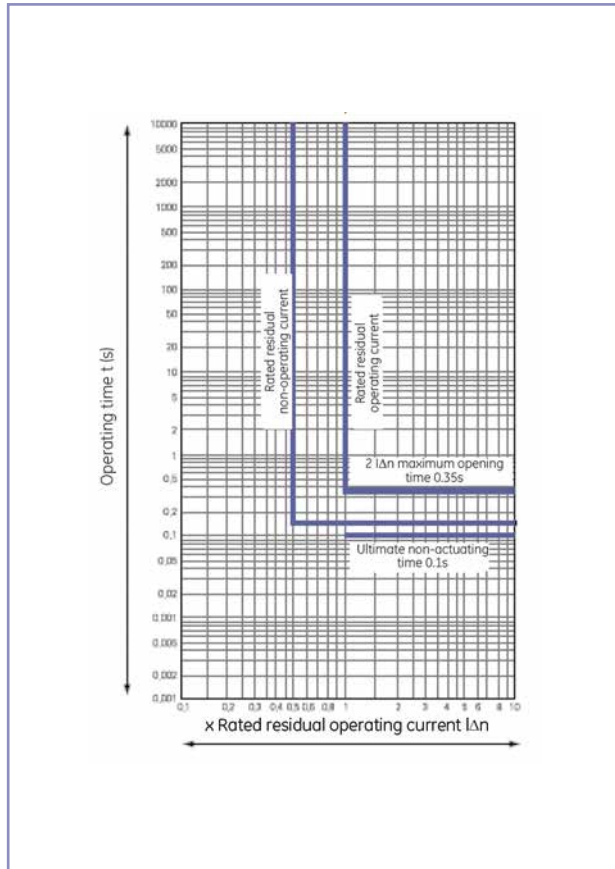
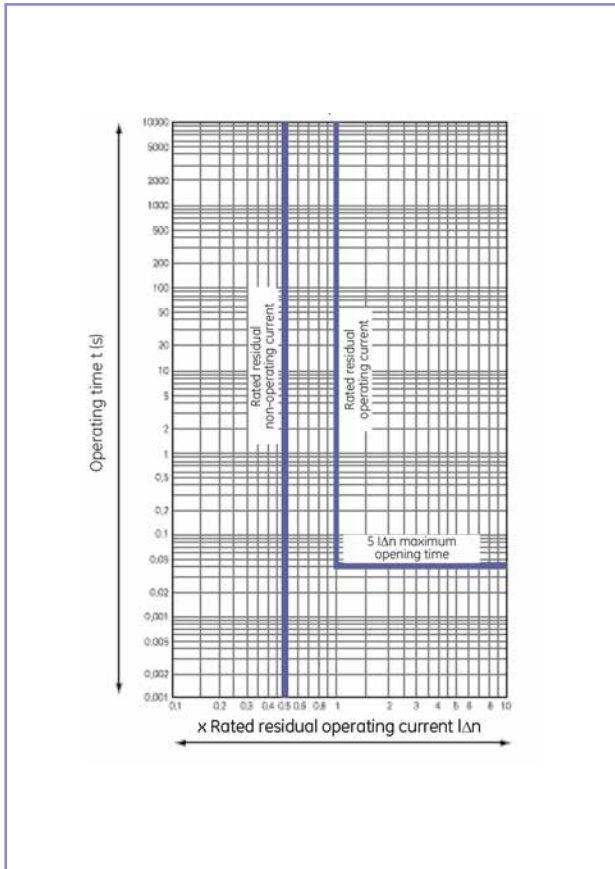
C

X



# Applications

## Characteristic curve of residual current protection of circuit breaker

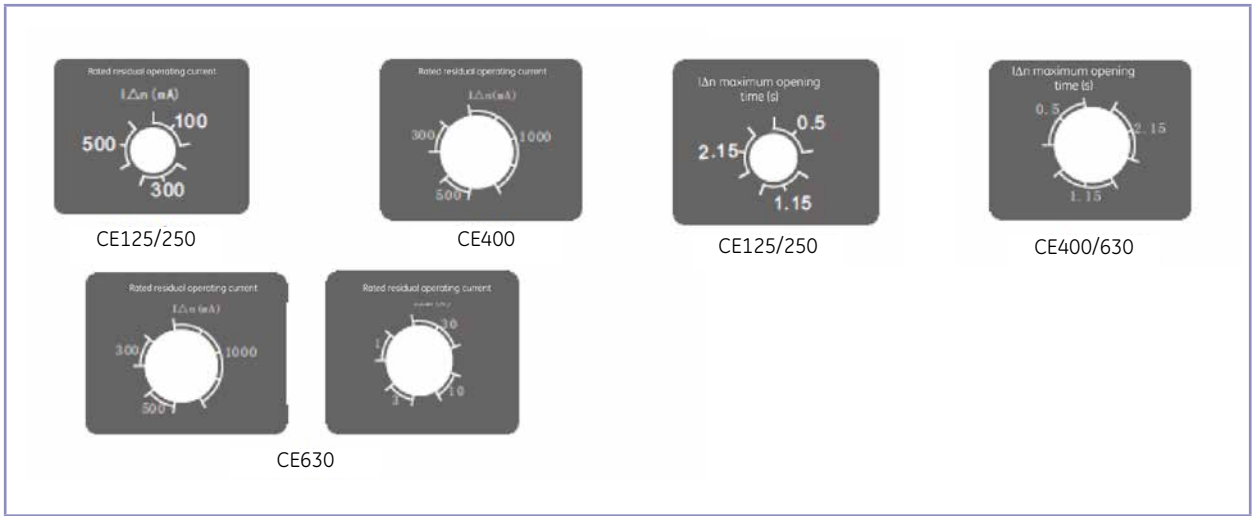


**Characteristic curve of residual current protection of circuit breaker**

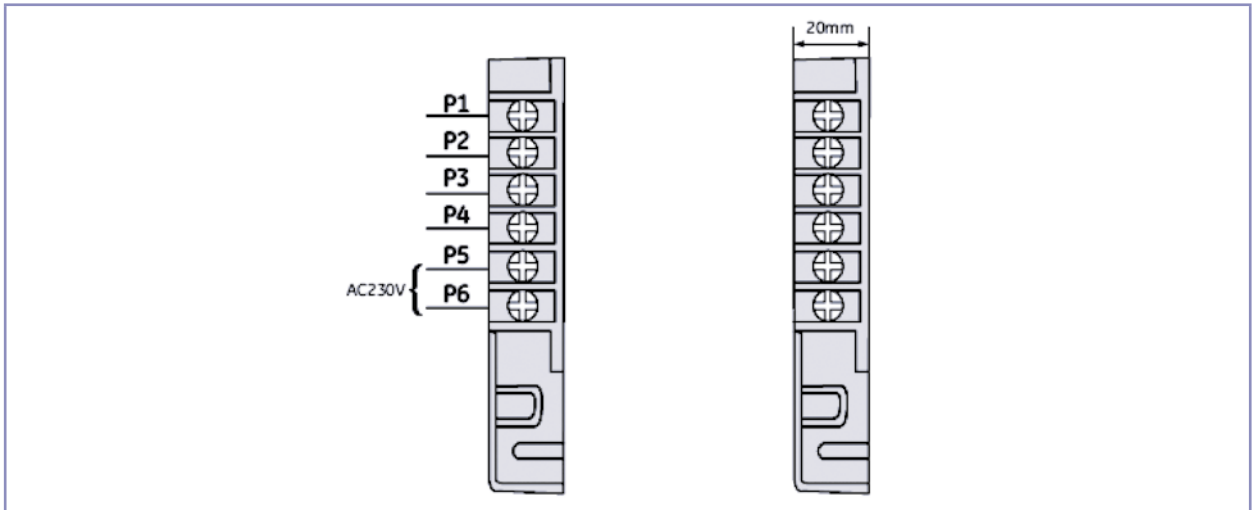
**Residual current operating time**

		Ambient temperature			
		$I\Delta t$	$2 I\Delta n$	$5 I\Delta n$	$10 I\Delta n$
Non-delay	Residual current				
	Maximum opening time (s)	0.2	0.1	0.04	0.04
Delay	Residual current				
	Maximum opening time (s)	0.5/1.15/2.15	0.35/1/2	0.25/0.9/1.9	0.25/0.9/1.9
	Ultimate non-actuating time $\Delta t$ (s)	-	0.1/0.5/1	-	-

**Residual current settings rotary switch schematic**



**Wiring diagram of alarm non-tripping module**



Note:  
 P1, P2 are the terminal blocks of normally closed contact  
 P3, P4 are the terminal blocks of normally open contact  
 P5, P6 are the terminal blocks of AC230V power supply



		Introduction and specifications	A
		Order codes	B
X.2	Numerical index by reference number	Dimensions and applications	C
X.5	Numerical index by catalogue number	Numerical index	X

---







## By reference number

Ref. no.	Cat. no.	Page	Ref. no.	Cat. no.	Page	Ref. no.	Cat. no.	Page
461569	CE250NRTM160E	B.7	462080	CE630H4TM400F	B.8	460569	CE125N4MC080A	B.9
461571	CE250NRTM180A	B.7	462081	CE630H4TM500A	B.8	460570	CE125N4MC080B	B.9
461572	CE250NRTM180B	B.7	462082	CE630H4TM500B	B.8	460573	CE125N4MC080E	B.9
461575	CE250NRTM180E	B.7	462085	CE630H4TM500E	B.8	460574	CE125N4MC080F	B.9
461577	CE250NRTM200A	B.7	462086	CE630H4TM500F	B.8	460575	CE125N4MC100A	B.9
461578	CE250NRTM200B	B.7	462087	CE630H4TM630A	B.8	460576	CE125N4MC100B	B.9
461581	CE250NRTM200E	B.7	462088	CE630H4TM630B	B.8	460579	CE125N4MC100E	B.9
461583	CE250NRTM225A	B.7	462091	CE630H4TM630E	B.8	460580	CE125N4MC100F	B.9
461584	CE250NRTM225B	B.7	462092	CE630H4TM630F	B.8	460581	CE125N4MC125A	B.9
461587	CE250NRTM225E	B.7	462183	CE630HRTM400A	B.8	460582	CE125N4MC125B	B.9
461589	CE250NRTM250A	B.7	462184	CE630HRTM400B	B.8	460585	CE125N4MC125E	B.9
461590	CE250NRTM250B	B.7	462187	CE630HRTM400E	B.8	460586	CE125N4MC125F	B.9
461593	CE250NRTM250E	B.7	462188	CE630HRTM400F	B.8	460887	CE125NRMC016A	B.9
461673	CE400H3TM225A	B.8	462189	CE630HRTM500A	B.8	460888	CE125NRMC016B	B.9
461674	CE400H3TM225B	B.8	462190	CE630HRTM500B	B.8	460891	CE125NRMC016E	B.9
461677	CE400H3TM225E	B.8	462193	CE630HRTM500E	B.8	460892	CE125NRMC016F	B.9
461678	CE400H3TM225F	B.8	462194	CE630HRTM500F	B.8	460893	CE125NRMC020A	B.9
461679	CE400H3TM250A	B.8	462195	CE630HRTM630A	B.8	460894	CE125NRMC020B	B.9
461680	CE400H3TM250B	B.8	462196	CE630HRTM630B	B.8	460897	CE125NRMC020E	B.9
461683	CE400H3TM250E	B.8	462199	CE630HRTM630E	B.8	460898	CE125NRMC020F	B.9
461684	CE400H3TM250F	B.8	462200	CE630HRTM630F	B.8	460899	CE125NRMC025A	B.9
461685	CE400H3TM315A	B.8	460347	CE125N3MC016A	B.9	460900	CE125NRMC025B	B.9
461686	CE400H3TM315B	B.8	460348	CE125N3MC016B	B.9	460903	CE125NRMC025E	B.9
461689	CE400H3TM315E	B.8	460351	CE125N3MC016E	B.9	460904	CE125NRMC025F	B.9
461690	CE400H3TM315F	B.8	460352	CE125N3MC016F	B.9	460905	CE125NRMC032A	B.9
461691	CE400H3TM350A	B.8	460353	CE125N3MC020A	B.9	460906	CE125NRMC032B	B.9
461692	CE400H3TM350B	B.8	460354	CE125N3MC020B	B.9	460909	CE125NRMC032E	B.9
461695	CE400H3TM350E	B.8	460357	CE125N3MC020E	B.9	460910	CE125NRMC032F	B.9
461696	CE400H3TM350F	B.8	460358	CE125N3MC020F	B.9	460911	CE125NRMC040A	B.9
461697	CE400H3TM400A	B.8	460359	CE125N3MC025A	B.9	460912	CE125NRMC040B	B.9
461698	CE400H3TM400B	B.8	460360	CE125N3MC025B	B.9	460915	CE125NRMC040E	B.9
461701	CE400H3TM400E	B.8	460363	CE125N3MC025E	B.9	460916	CE125NRMC040F	B.9
461702	CE400H3TM400F	B.8	460364	CE125N3MC025F	B.9	460917	CE125NRMC050A	B.9
461763	CE400H4TM225A	B.8	460365	CE125N3MC032A	B.9	460918	CE125NRMC050B	B.9
461764	CE400H4TM225B	B.8	460366	CE125N3MC032B	B.9	460921	CE125NRMC050E	B.9
461767	CE400H4TM225E	B.8	460369	CE125N3MC032E	B.9	460922	CE125NRMC050F	B.9
461768	CE400H4TM225F	B.8	460370	CE125N3MC032F	B.9	460923	CE125NRMC063A	B.9
461769	CE400H4TM250A	B.8	460371	CE125N3MC040A	B.9	460924	CE125NRMC063B	B.9
461770	CE400H4TM250B	B.8	460372	CE125N3MC040B	B.9	460927	CE125NRMC063E	B.9
461773	CE400H4TM250E	B.8	460375	CE125N3MC040E	B.9	460928	CE125NRMC063F	B.9
461774	CE400H4TM250F	B.8	460376	CE125N3MC040F	B.9	460929	CE125NRMC080A	B.9
461775	CE400H4TM315A	B.8	460377	CE125N3MC050A	B.9	460930	CE125NRMC080B	B.9
461776	CE400H4TM315B	B.8	460378	CE125N3MC050B	B.9	460933	CE125NRMC080E	B.9
461779	CE400H4TM315E	B.8	460381	CE125N3MC050E	B.9	460934	CE125NRMC080F	B.9
461780	CE400H4TM315F	B.8	460382	CE125N3MC050F	B.9	460935	CE125NRMC100A	B.9
461781	CE400H4TM350A	B.8	460383	CE125N3MC063A	B.9	460936	CE125NRMC100B	B.9
461782	CE400H4TM350B	B.8	460384	CE125N3MC063B	B.9	460939	CE125NRMC100E	B.9
461785	CE400H4TM350E	B.8	460387	CE125N3MC063E	B.9	460940	CE125NRMC100F	B.9
461786	CE400H4TM350F	B.8	460388	CE125N3MC063F	B.9	460941	CE125NRMC125A	B.9
461787	CE400H4TM400A	B.8	460389	CE125N3MC080A	B.9	460942	CE125NRMC125B	B.9
461788	CE400H4TM400B	B.8	460390	CE125N3MC080B	B.9	460945	CE125NRMC125E	B.9
461791	CE400H4TM400E	B.8	460393	CE125N3MC080E	B.9	460946	CE125NRMC125F	B.9
461792	CE400H4TM400F	B.8	460394	CE125N3MC080F	B.9	462261	CE125N4MC040A	B.9
461943	CE400HRTM225A	B.8	460395	CE125N3MC100A	B.9			
461944	CE400HRTM225B	B.8	460396	CE125N3MC100B	B.9			
461947	CE400HRTM225E	B.8	460399	CE125N3MC100E	B.9			
461948	CE400HRTM225F	B.8	460400	CE125N3MC100F	B.9			
461949	CE400HRTM250A	B.8	460401	CE125N3MC125A	B.9			
461950	CE400HRTM250B	B.8	460402	CE125N3MC125B	B.9			
461953	CE400HRTM250E	B.8	460405	CE125N3MC125E	B.9			
461954	CE400HRTM250F	B.8	460406	CE125N3MC125F	B.9			
461955	CE400HRTM315A	B.8	460527	CE125N4MC016A	B.9			
461956	CE400HRTM315B	B.8	460528	CE125N4MC016B	B.9			
461959	CE400HRTM315E	B.8	460531	CE125N4MC016E	B.9			
461960	CE400HRTM315F	B.8	460532	CE125N4MC016F	B.9			
461961	CE400HRTM350A	B.8	460533	CE125N4MC020A	B.9			
461962	CE400HRTM350B	B.8	460534	CE125N4MC020B	B.9			
461965	CE400HRTM350E	B.8	460537	CE125N4MC020E	B.9			
461966	CE400HRTM350F	B.8	460538	CE125N4MC020F	B.9			
461967	CE400HRTM400A	B.8	460539	CE125N4MC025A	B.9			
461968	CE400HRTM400B	B.8	460540	CE125N4MC025B	B.9			
461971	CE400HRTM400E	B.8	460543	CE125N4MC025E	B.9			
461972	CE400HRTM400F	B.8	460544	CE125N4MC025F	B.9			
462021	CE630H3TM400A	B.8	460545	CE125N4MC032A	B.9			
462022	CE630H3TM400B	B.8	460546	CE125N4MC032B	B.9			
462025	CE630H3TM400E	B.8	460549	CE125N4MC032E	B.9			
462026	CE630H3TM400F	B.8	460550	CE125N4MC032F	B.9			
462027	CE630H3TM500A	B.8	460552	CE125N4MC040B	B.9			
462028	CE630H3TM500B	B.8	460555	CE125N4MC040E	B.9			
462031	CE630H3TM500E	B.8	460556	CE125N4MC040F	B.9			
462032	CE630H3TM500F	B.8	460557	CE125N4MC050A	B.9			
462033	CE630H3TM630A	B.8	460558	CE125N4MC050B	B.9			
462034	CE630H3TM630B	B.8	460561	CE125N4MC050E	B.9			
462037	CE630H3TM630E	B.8	460562	CE125N4MC050F	B.9			
462038	CE630H3TM630F	B.8	460563	CE125N4MC063A	B.9			
462075	CE630H4TM400A	B.8	460564	CE125N4MC063B	B.9			
462076	CE630H4TM400B	B.8	460567	CE125N4MC063E	B.9			
462079	CE630H4TM400E	B.8	460568	CE125N4MC063F	B.9			







Cat. no.	Ref. no.	Page	Cat. no.	Ref. no.	Page	Cat. no.	Ref. no.	Page
CE250NRMCM180F	461528	B.10	CE400H4MC315E	461749	B.11	CE630H3TM500B	462028	B.8
CE250NRMCM200A	461529	B.10	CE400H4MC315F	461750	B.11	CE630H3TM500E	462031	B.8
CE250NRMCM200B	461530	B.10	CE400H4MC350A	461751	B.11	CE630H3TM500F	462032	B.8
CE250NRMCM200E	461533	B.10	CE400H4MC350B	461752	B.11	CE630H3TM630A	462033	B.8
CE250NRMCM200F	461534	B.10	CE400H4MC350E	461755	B.11	CE630H3TM630B	462034	B.8
CE250NRMCM225A	461535	B.10	CE400H4MC350F	461756	B.11	CE630H3TM630E	462037	B.8
CE250NRMCM225B	461536	B.10	CE400H4MC400A	461757	B.11	CE630H3TM630F	462038	B.8
CE250NRMCM225E	461539	B.10	CE400H4MC400B	461758	B.11	CE630H4MC400A	462057	B.11
CE250NRMCM225F	461540	B.10	CE400H4MC400E	461761	B.11	CE630H4MC400B	462058	B.11
CE250NRMCM250A	461541	B.10	CE400H4MC400F	461762	B.11	CE630H4MC400E	462061	B.11
CE250NRMCM250B	461542	B.10	CE400H4TM225A	461763	B.8	CE630H4MC400F	462062	B.11
CE250NRMCM250E	461545	B.10	CE400H4TM225B	461764	B.8	CE630H4MC500A	462063	B.11
CE250NRMCM250F	461546	B.10	CE400H4TM225E	461767	B.8	CE630H4MC500B	462064	B.11
CE250NRTM100A	461547	B.7	CE400H4TM225F	461768	B.8	CE630H4MC500E	462067	B.11
CE250NRTM100B	461548	B.7	CE400H4TM250A	461769	B.8	CE630H4MC500F	462068	B.11
CE250NRTM100E	461551	B.7	CE400H4TM250B	461770	B.8	CE630H4MC630A	462069	B.11
CE250NRTM125A	461553	B.7	CE400H4TM250E	461773	B.8	CE630H4MC630B	462070	B.11
CE250NRTM125B	461554	B.7	CE400H4TM250F	461774	B.8	CE630H4MC630E	462073	B.11
CE250NRTM125E	461557	B.7	CE400H4TM315A	461775	B.8	CE630H4MC630F	462074	B.11
CE250NRTM140A	461559	B.7	CE400H4TM315B	461776	B.8	CE630H4TM400A	462075	B.8
CE250NRTM140B	461560	B.7	CE400H4TM315E	461779	B.8	CE630H4TM400B	462076	B.8
CE250NRTM140E	461563	B.7	CE400H4TM315F	461780	B.8	CE630H4TM400E	462079	B.8
CE250NRTM160A	461565	B.7	CE400H4TM350A	461781	B.8	CE630H4TM400F	462080	B.8
CE250NRTM160B	461566	B.7	CE400H4TM350B	461782	B.8	CE630H4TM500A	462081	B.8
CE250NRTM160E	461569	B.7	CE400H4TM350E	461785	B.8	CE630H4TM500B	462082	B.8
CE250NRTM180A	461571	B.7	CE400H4TM350F	461786	B.8	CE630H4TM500E	462085	B.8
CE250NRTM180B	461572	B.7	CE400H4TM400A	461787	B.8	CE630H4TM500F	462086	B.8
CE250NRTM180E	461575	B.7	CE400H4TM400B	461788	B.8	CE630H4TM630A	462087	B.8
CE250NRTM200A	461577	B.7	CE400H4TM400E	461791	B.8	CE630H4TM630B	462088	B.8
CE250NRTM200B	461578	B.7	CE400H4TM400F	461792	B.8	CE630H4TM630E	462091	B.8
CE250NRTM200E	461581	B.7	CE400HRMC225A	461913	B.11	CE630H4TM630F	462092	B.8
CE250NRTM225A	461583	B.7	CE400HRMC225B	461914	B.11	CE630HRMC400A	462165	B.11
CE250NRTM225B	461584	B.7	CE400HRMC225E	461917	B.11	CE630HRMC400B	462166	B.11
CE250NRTM225E	461587	B.7	CE400HRMC225F	461918	B.11	CE630HRMC400E	462169	B.11
CE250NRTM250A	461589	B.7	CE400HRMC250A	461919	B.11	CE630HRMC400F	462170	B.11
CE250NRTM250B	461590	B.7	CE400HRMC250B	461920	B.11	CE630HRMC500A	462171	B.11
CE250NRTM250E	461593	B.7	CE400HRMC250E	461923	B.11	CE630HRMC500B	462172	B.11
CE250SHTL	462224	B.12	CE400HRMC250F	461924	B.11	CE630HRMC500E	462175	B.11
CE400H3MC225A	461643	B.11	CE400HRMC315A	461925	B.11	CE630HRMC500F	462176	B.11
CE400H3MC225B	461644	B.11	CE400HRMC315B	461926	B.11	CE630HRMC630A	462177	B.11
CE400H3MC225E	461647	B.11	CE400HRMC315E	461929	B.11	CE630HRMC630B	462178	B.11
CE400H3MC225F	461648	B.11	CE400HRMC315F	461930	B.11	CE630HRMC630E	462181	B.11
CE400H3MC250A	461649	B.11	CE400HRMC350A	461931	B.11	CE630HRMC630F	462182	B.11
CE400H3MC250B	461650	B.11	CE400HRMC350B	461932	B.11	CE630HRTM400A	462183	B.8
CE400H3MC250E	461653	B.11	CE400HRMC350E	461935	B.11	CE630HRTM400B	462184	B.8
CE400H3MC250F	461654	B.11	CE400HRMC350F	461936	B.11	CE630HRTM400E	462187	B.8
CE400H3MC315A	461655	B.11	CE400HRMC400A	461937	B.11	CE630HRTM400F	462188	B.8
CE400H3MC315B	461656	B.11	CE400HRMC400B	461938	B.11	CE630HRTM500A	462189	B.8
CE400H3MC315E	461659	B.11	CE400HRMC400E	461941	B.11	CE630HRTM500B	462190	B.8
CE400H3MC315F	461660	B.11	CE400HRMC400F	461942	B.11	CE630HRTM500E	462193	B.8
CE400H3MC350A	461661	B.11	CE400HRTM225A	461943	B.8	CE630HRTM500F	462194	B.8
CE400H3MC350B	461662	B.11	CE400HRTM225B	461944	B.8	CE630HRTM630A	462195	B.8
CE400H3MC350E	461665	B.11	CE400HRTM225E	461947	B.8	CE630HRTM630B	462196	B.8
CE400H3MC350F	461666	B.11	CE400HRTM225F	461948	B.8	CE630HRTM630E	462199	B.8
CE400H3MC400A	461667	B.11	CE400HRTM250A	461949	B.8	CE630HRTM630F	462200	B.8
CE400H3MC400B	461668	B.11	CE400HRTM250B	461950	B.8			
CE400H3MC400E	461671	B.11	CE400HRTM250E	461953	B.8			
CE400H3MC400F	461672	B.11	CE400HRTM250F	461954	B.8			
CE400H3TM225A	461673	B.8	CE400HRTM315A	461955	B.8			
CE400H3TM225B	461674	B.8	CE400HRTM315B	461956	B.8			
CE400H3TM225E	461677	B.8	CE400HRTM315E	461959	B.8			
CE400H3TM225F	461678	B.8	CE400HRTM315F	461960	B.8			
CE400H3TM250A	461679	B.8	CE400HRTM350A	461961	B.8			
CE400H3TM250B	461680	B.8	CE400HRTM350B	461962	B.8			
CE400H3TM250E	461683	B.8	CE400HRTM350E	461965	B.8			
CE400H3TM250F	461684	B.8	CE400HRTM350F	461966	B.8			
CE400H3TM315A	461685	B.8	CE400HRTM400A	461967	B.8			
CE400H3TM315B	461686	B.8	CE400HRTM400B	461968	B.8			
CE400H3TM315E	461689	B.8	CE400HRTM400E	461971	B.8			
CE400H3TM315F	461690	B.8	CE400HRTM400F	461972	B.8			
CE400H3TM350A	461691	B.8	CE400SHTL	462225	B.12			
CE400H3TM350B	461692	B.8	CE630H3MC400A	462003	B.11			
CE400H3TM350E	461695	B.8	CE630H3MC400B	462004	B.11			
CE400H3TM350F	461696	B.8	CE630H3MC400E	462007	B.11			
CE400H3TM400A	461697	B.8	CE630H3MC400F	462008	B.11			
CE400H3TM400B	461698	B.8	CE630H3MC500A	462009	B.11			
CE400H3TM400E	461701	B.8	CE630H3MC500B	462010	B.11			
CE400H3TM400F	461702	B.8	CE630H3MC500E	462013	B.11			
CE400H4MC225A	461733	B.11	CE630H3MC500F	462014	B.11			
CE400H4MC225B	461734	B.11	CE630H3MC630A	462015	B.11			
CE400H4MC225E	461737	B.11	CE630H3MC630B	462016	B.11			
CE400H4MC225F	461738	B.11	CE630H3MC630E	462019	B.11			
CE400H4MC250A	461739	B.11	CE630H3MC630F	462020	B.11			
CE400H4MC250B	461740	B.11	CE630H3TM400A	462021	B.8			
CE400H4MC250E	461743	B.11	CE630H3TM400B	462022	B.8			
CE400H4MC250F	461744	B.11	CE630H3TM400E	462025	B.8			
CE400H4MC315A	461745	B.11	CE630H3TM400F	462026	B.8			
CE400H4MC315B	461746	B.11	CE630H3TM500A	462027	B.8			

The policy of GE is one of continuous improvement. The right is reserved to alter the design or any structural details of the products at any time without giving notice.

February 2015  
GE Industrial Solutions

